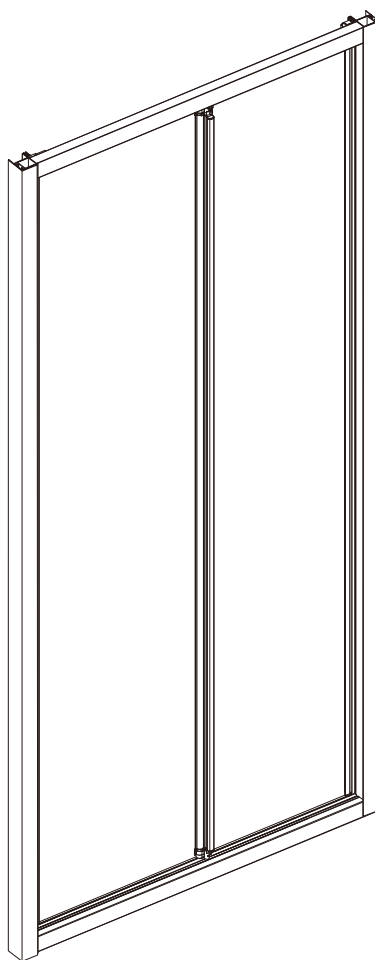


INSTALLATION INSTRUCTIONS

NAA6422



General Information

Please inspect the product immediately upon receipt for transit damage, missing packs/parts or manufacturing fault. Damage reported later cannot be accepted. Please handle the product with care avoiding knocks and shock loading to all sides and edges of the glass.

Notes: Safety glass can not be re-worked.

Please read these instructions carefully before start of installation.

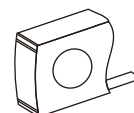
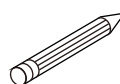
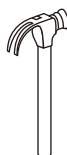
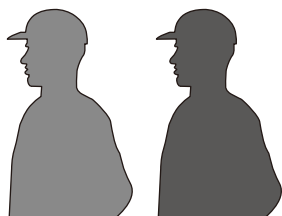
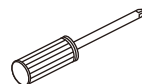
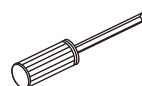
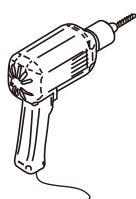
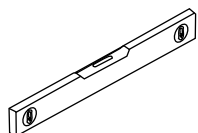
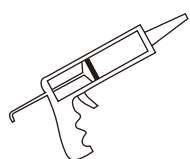
Special care should be taken when drilling walls to avoid hidden pipes or electrical cables.

Note: This product is heavy and may require two people to install.

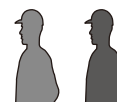
Aftercare instructions

After use, your shower enclosure should be cleaned with soap and warm water only. This is particularly important in hard water areas where insoluble lime salts may be deposited and allowed to build up. For cleaning purposes, please use soap and warm water or vinegar and warm water. DO NOT use abrasive cleaners. DO NOT use bleach based products. Many household cleaners contain abrasive and chemical substances and should not be used for cleaning plated or plastic fittings. Please keep these instructions for aftercare and customer service details.




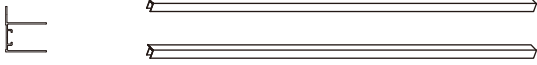
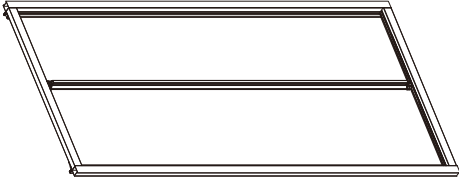
Tools Required



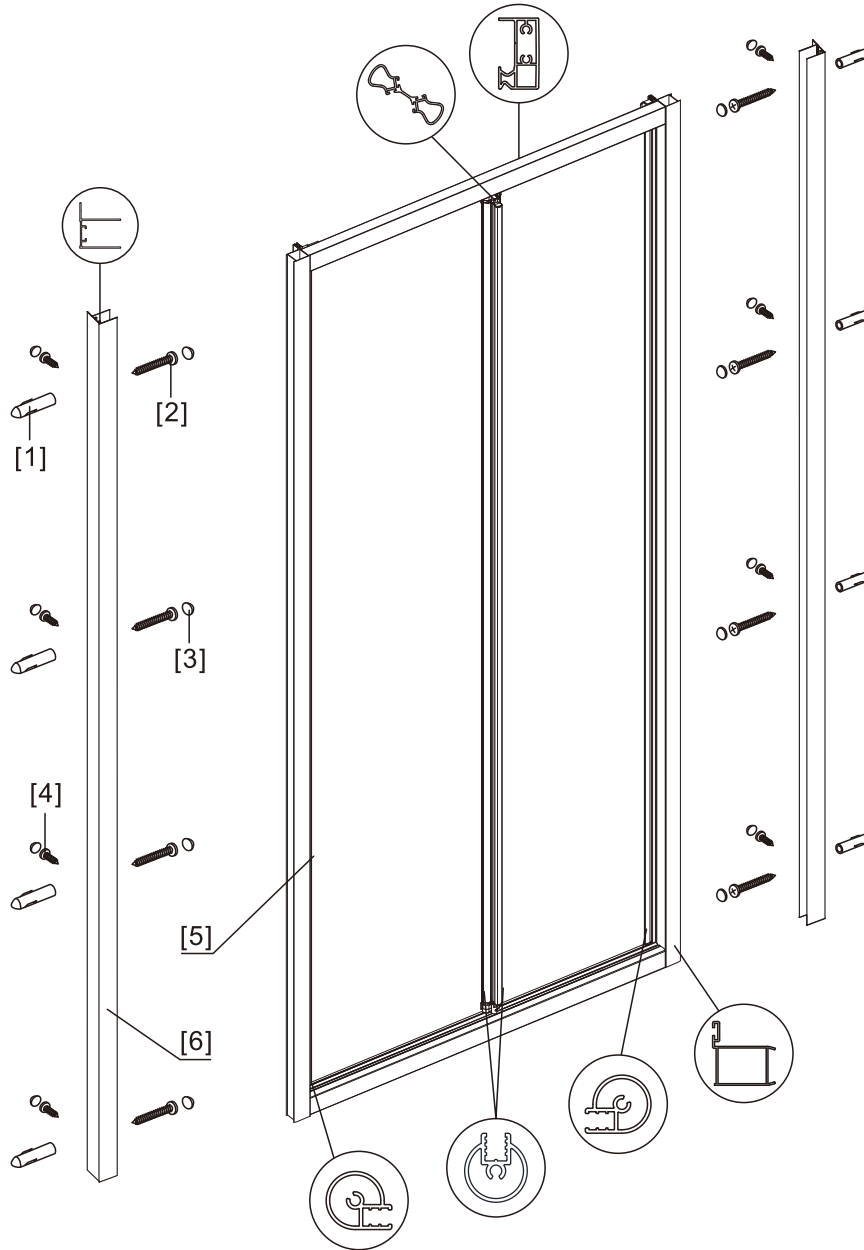
This product is heavy and may require two people to install.



◆ Box Contents

[1] 1xInstallation Instruction.	➔	
[2] 8xWall Plugs. 8x Screws M4x35. 8xScrew Cover Caps.	➔	
[3] 8xScrew Cover Caps. 8x Screws M4x8.	➔	
[4] 2xWall Posts.	➔	
[5] 2XDoor Panels.	➔	

◆ Assembly Drawing

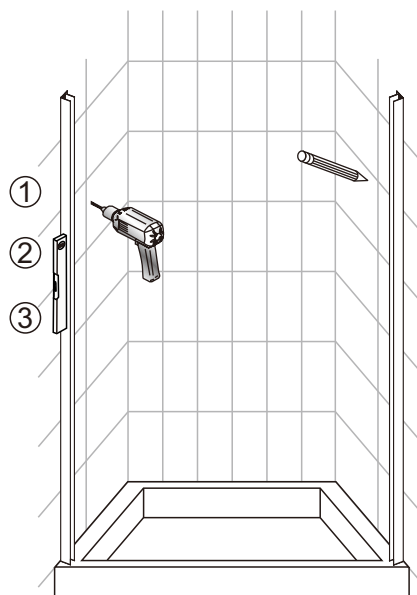
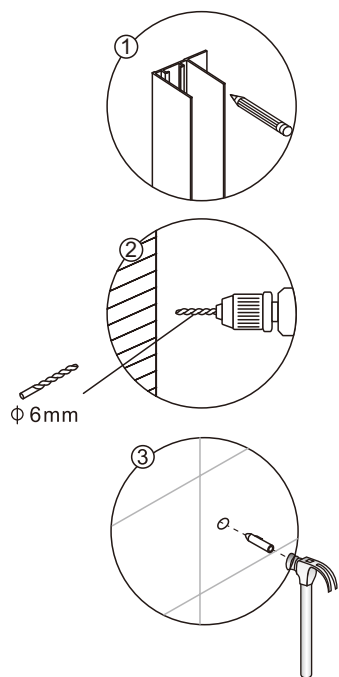


- [1] 8xWall Plugs
- [2] 8xScrews M4x35
- [3] 16xScrew Cover Caps

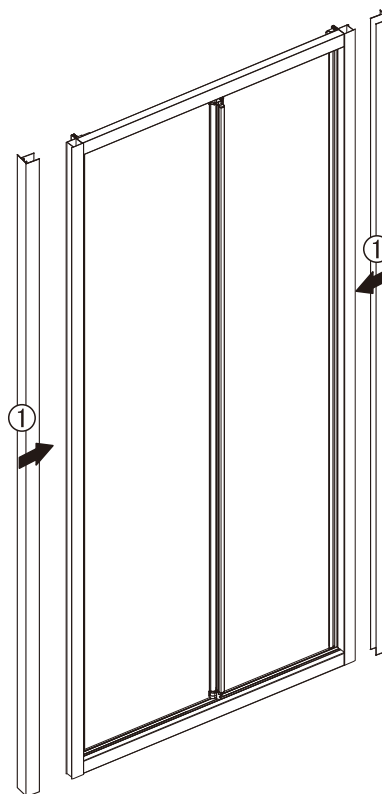
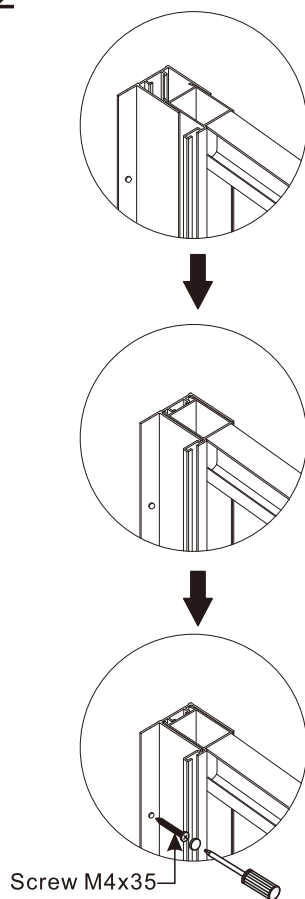
- [4] 8xScrews M4x8
- [5] 2xDoor Panels
- [6] 2xWall Posts

◆ Installation Steps

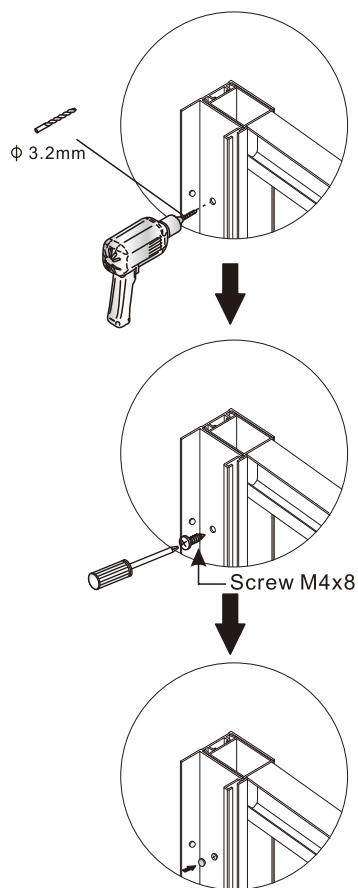
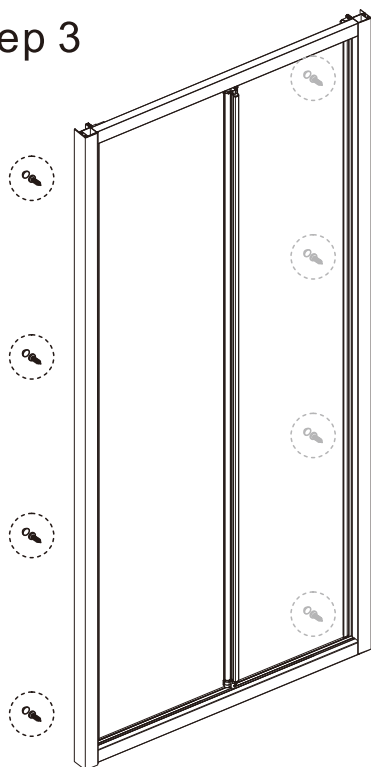
Step 1



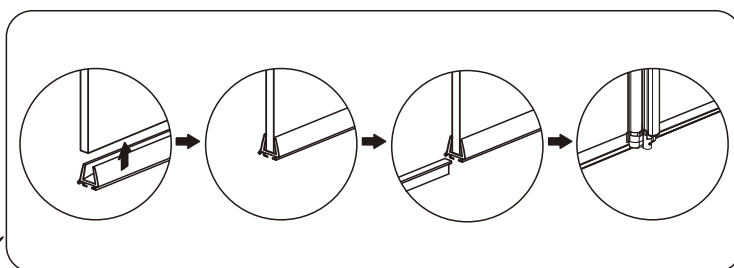
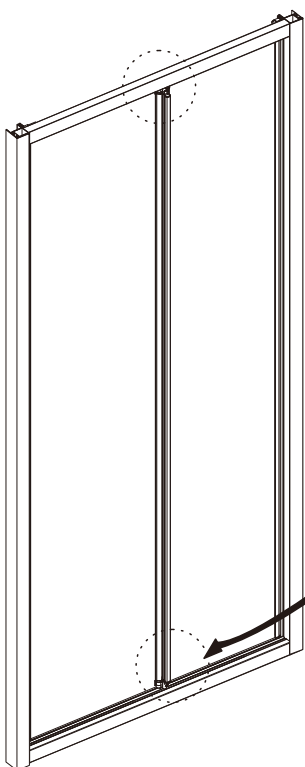
Step 2



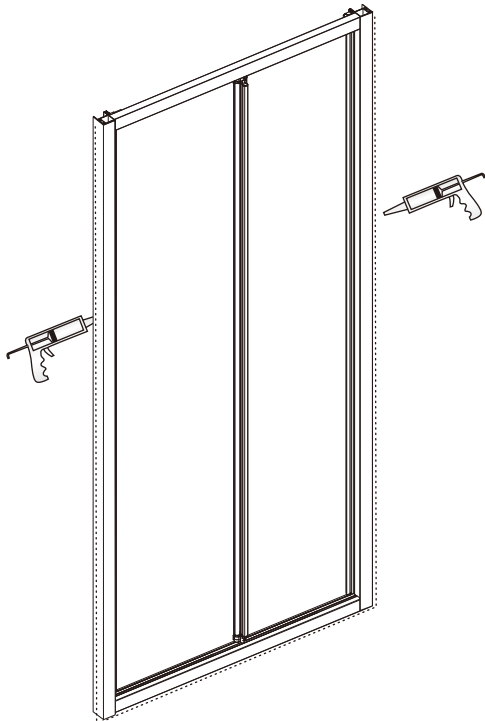
Step 3



Step 4



Step 5



Allow 24 hours for silicone to dry before use.

