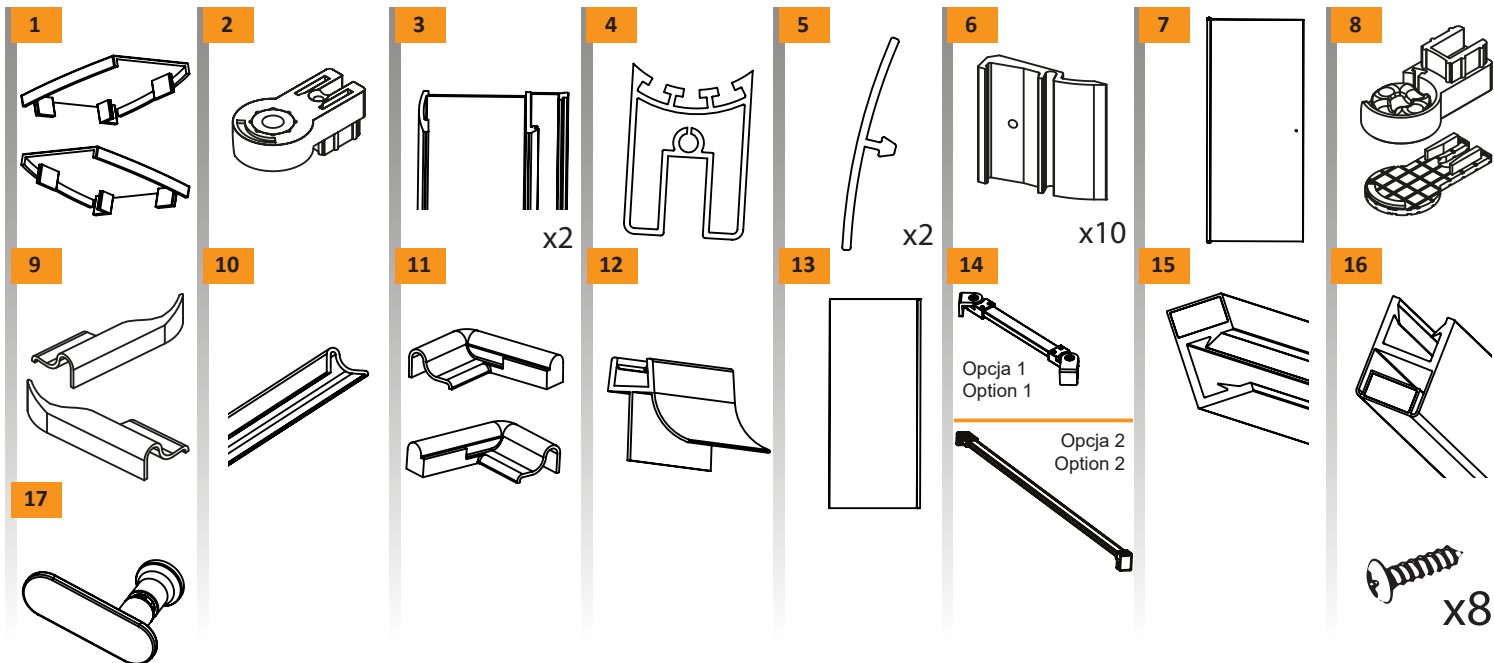
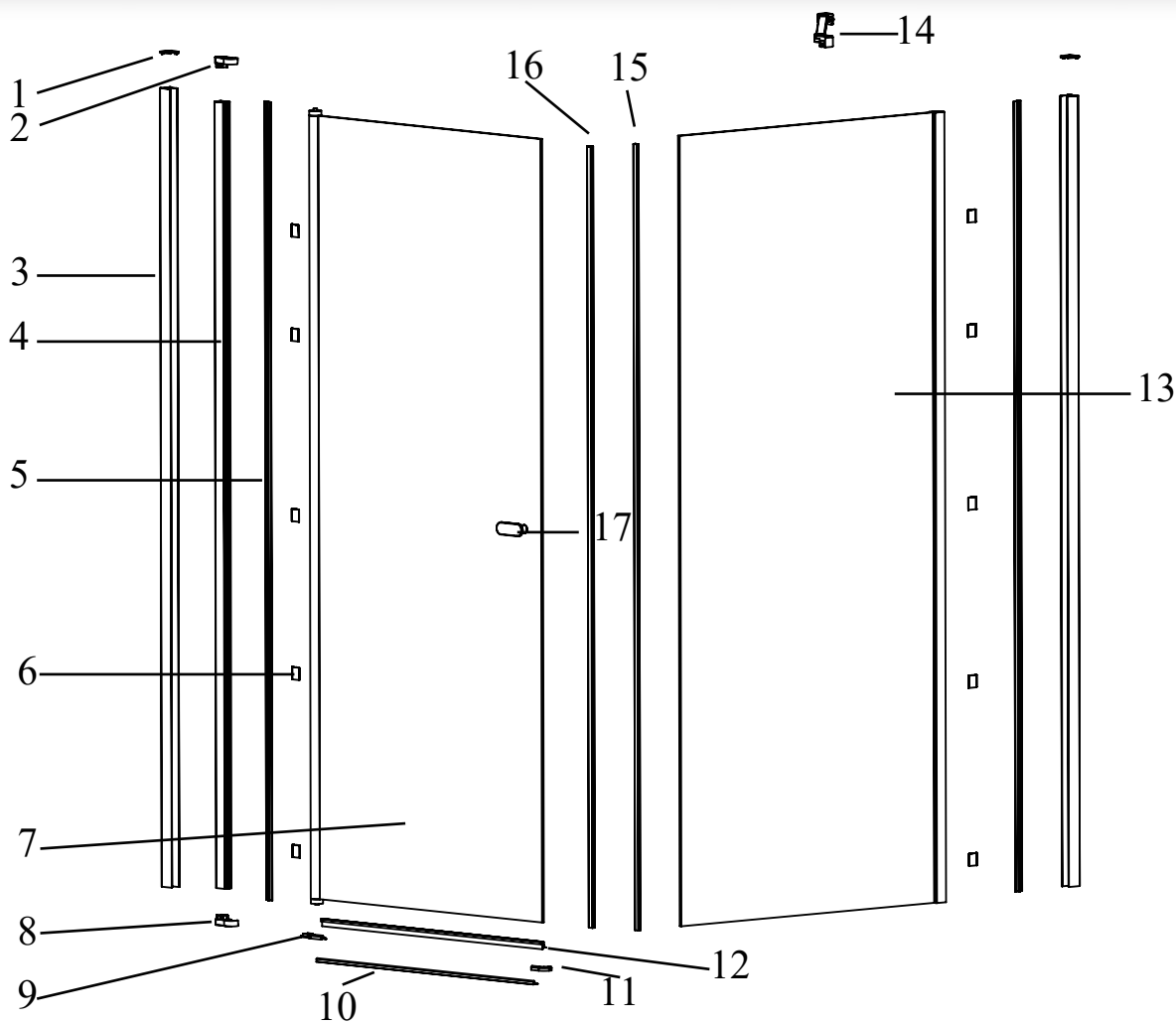




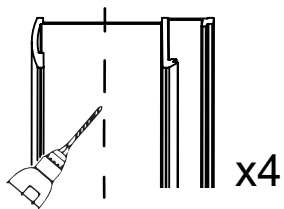
NEW SOLEO / NEW SOLEO BLACK



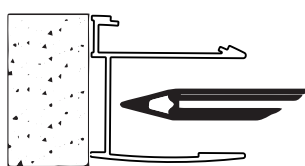


1

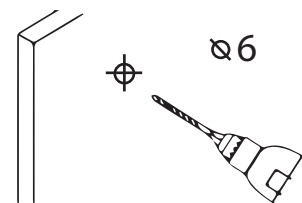
a



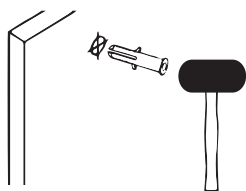
b



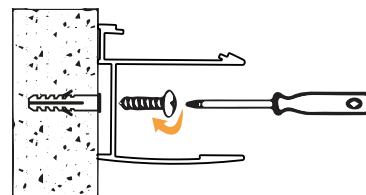
c



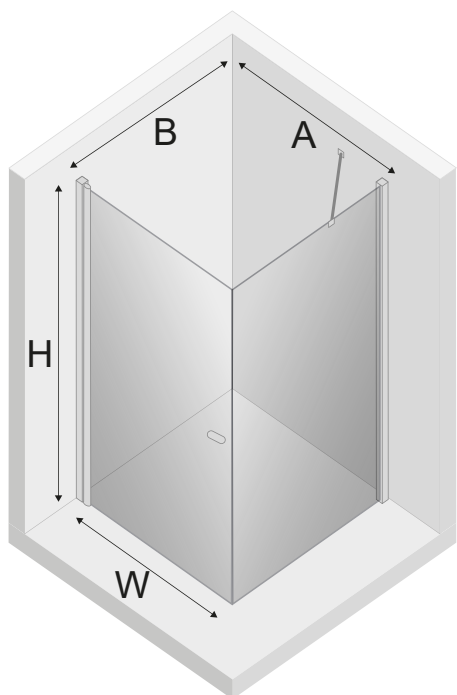
d



e



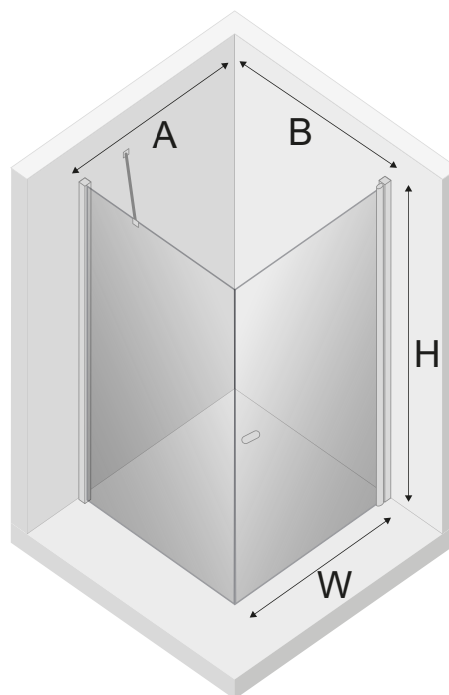
2



L

Drzwi LEWE
LEFT Door

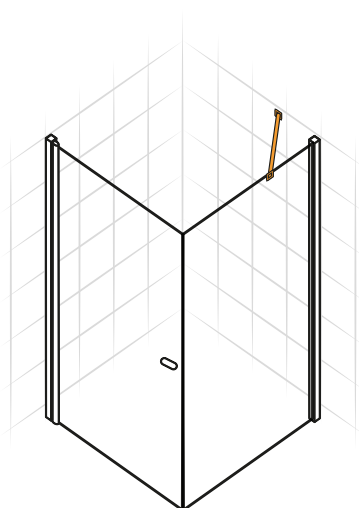
Strona 4
Page 4



R

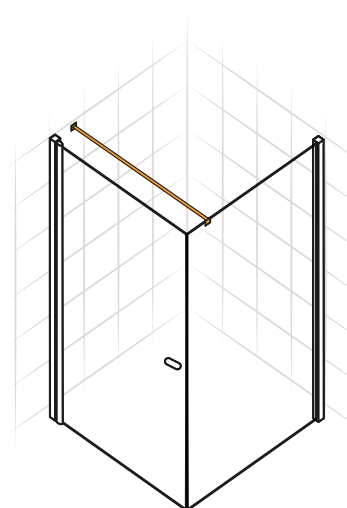
Drzwi PRAWY
RIGHT Door

Strona 5
Page 5



Opcja 1
Option 1

Wspornik
skośny

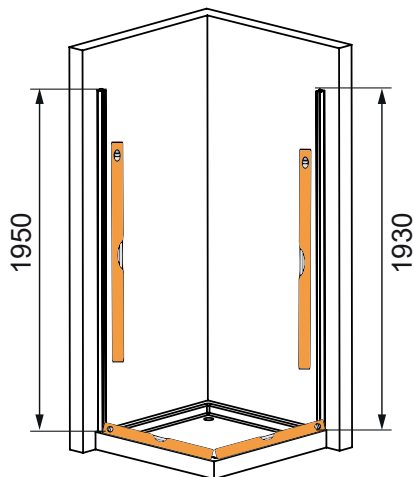
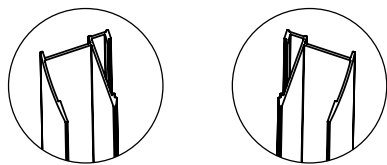


Opcja 2
Option 2

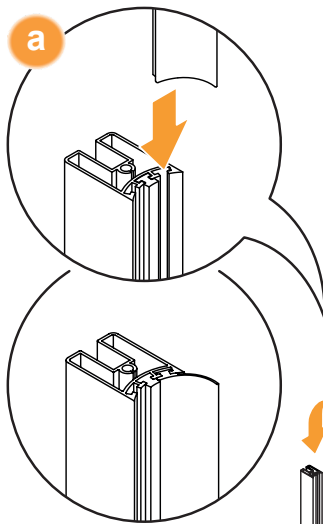
Wspornik
równoległy
(WP)

		Symbol		Wymiar	Drzwi	A	B	W	H
		Chrom	Black						
Opcja 1 Option 1 Wspornik skośny	D-0139A/D-0086B	D-0229A/D-0113B	70x70x195	L/P	69-70,5	68,5-70	60	195	
	D-0139A/D-0087B	D-0229A/D-0114B	70x80x195	L/P	69-70,5	78,5-80	60	195	
	D-0139A/D-0088B	D-0229A/D-0115B	70x90x195	L/P	69-70,5	88,5-90	60	195	
	D-0139A/D-0089B	D-0229A/D-0116B	70x100x195	L/P	69-70,5	98,5-100	60	195	
	D-0139A/D-0150B	D-0229A/D-0148B	70x110x195	L/P	69-70,5	108,5-110	60	195	
	D-0139A/D-0151B	D-0229A/D-0149B	70x120x195	L/P	69-70,5	118,5-120	60	195	
	D-0140A/D-0086B	D-0230A/D-0113B	80x70x195	L/P	79-80,5	68,5-70	70	195	
	D-0140A/D-0087B	D-0230A/D-0114B	80x80x195	L/P	79-80,5	78,5-80	70	195	
	D-0140A/D-0088B	D-0230A/D-0115B	80x90x195	L/P	79-80,5	88,5-90	70	195	
	D-0140A/D-0089B	D-0230A/D-0116B	80x100x195	L/P	79-80,5	98,5-100	70	195	
	D-0140A/D-0150B	D-0230A/D-0148B	80x110x195	L/P	79-80,5	108,5-110	70	195	
	D-0140A/D-0151B	D-0230A/D-0149B	80x120x195	L/P	79-80,5	118,5-120	70	195	
	D-0141A/D-0086B	D-0231A/D-0113B	90x70x195	L/P	89-90,5	68,5-70	80	195	
	D-0141A/D-0087B	D-0231A/D-0114B	90x80x195	L/P	89-90,5	78,5-80	80	195	
	D-0141A/D-0088B	D-0231A/D-0115B	90x90x195	L/P	89-90,5	88,5-90	80	195	
	–	D-0285A/D-0120B	90x90x195	L	89-90,5	88,5-90	80	195	
	–	D-0285A/D-0121B	90x90x195	P	89-90,5	88,5-90	80	195	
	D-0141A/D-0089B	D-0231A/D-0116B	90x100x195	L/P	89-90,5	98,5-100	80	195	
	D-0141A/D-0150B	D-0231A/D-0148B	90x110x195	L/P	89-90,5	108,5-110	80	195	
	D-0141A/D-0151B	D-0231A/D-0149B	90x120x195	L/P	89-90,5	118,5-120	80	195	
	D-0142A/D-0086B	D-0232A/D-0113B	100x70x195	L/P	99-100,5	68,5-70	90	195	
	D-0142A/D-0087B	D-0232A/D-0114B	100x80x195	L/P	99-100,5	78,5-80	90	195	
	D-0142A/D-0088B	D-0232A/D-0115B	100x90x195	L/P	99-100,5	88,5-90	90	195	
	D-0142A/D-0089B	D-0232A/D-0116B	100x100x195	L/P	99-100,5	98,5-100	90	195	
D-0142A/D-0150B	D-0232A/D-0148B	100x110x195	L/P	99-100,5	108,5-110	90	195		
D-0142A/D-0151B	D-0232A/D-0149B	100x120x195	L/P	99-100,5	118,5-120	90	195		
Opcja 2 Option 2 Wspornik równoległy (WP)	D-0139A/D-0086B-WP	D-0229A/D-0113B-WP	70x70x195	L/P	69-70,5	68,5-70	60	195	
	D-0139A/D-0087B-WP	D-0229A/D-0114B-WP	70x80x195	L/P	69-70,5	78,5-80	60	195	
	D-0139A/D-0088B-WP	D-0229A/D-0115B-WP	70x90x195	L/P	69-70,5	88,5-90	60	195	
	D-0139A/D-0089B-WP	D-0229A/D-0116B-WP	70x100x195	L/P	69-70,5	98,5-100	60	195	
	D-0139A/D-0150B-WP	D-0229A/D-0148B-WP	70x110x195	L/P	69-70,5	108,5-110	60	195	
	D-0139A/D-0151B-WP	D-0229A/D-0149B-WP	70x120x195	L/P	69-70,5	118,5-120	60	195	
	D-0140A/D-0086B-WP	D-0230A/D-0113B-WP	80x70x195	L/P	79-80,5	68,5-70	70	195	
	D-0140A/D-0087B-WP	D-0230A/D-0114B-WP	80x80x195	L/P	79-80,5	78,5-80	70	195	
	D-0140A/D-0088B-WP	D-0230A/D-0115B-WP	80x90x195	L/P	79-80,5	88,5-90	70	195	
	D-0140A/D-0089B-WP	D-0230A/D-0116B-WP	80x100x195	L/P	79-80,5	98,5-100	70	195	
	D-0140A/D-0150B-WP	D-0230A/D-0148B-WP	80x110x195	L/P	79-80,5	108,5-110	70	195	
	D-0140A/D-0151B-WP	D-0230A/D-0149B-WP	80x120x195	L/P	79-80,5	118,5-120	70	195	
	D-0141A/D-0086B-WP	D-0231A/D-0113B-WP	90x70x195	L/P	89-90,5	68,5-70	80	195	
	D-0141A/D-0087B-WP	D-0231A/D-0114B-WP	90x80x195	L/P	89-90,5	78,5-80	80	195	
	D-0141A/D-0088B-WP	D-0231A/D-0115B-WP	90x90x195	L/P	89-90,5	88,5-90	80	195	
	–	D-0285A/D-0120B-WP	90x90x195	L	89-90,5	88,5-90	80	195	
	–	D-0285A/D-0121B-WP	90x90x195	P	89-90,5	88,5-90	80	195	
	D-0141A/D-0089B-WP	D-0231A/D-0116B-WP	90x100x195	L/P	89-90,5	98,5-100	80	195	
	D-0141A/D-0150B-WP	D-0231A/D-0148B-WP	90x110x195	L/P	89-90,5	108,5-110	80	195	
	D-0141A/D-0151B-WP	D-0231A/D-0149B-WP	90x120x195	L/P	89-90,5	118,5-120	80	195	
	D-0142A/D-0086B-WP	D-0232A/D-0113B-WP	100x70x195	L/P	99-100,5	68,5-70	90	195	
	D-0142A/D-0087B-WP	D-0232A/D-0114B-WP	100x80x195	L/P	99-100,5	78,5-80	90	195	
	D-0142A/D-0088B-WP	D-0232A/D-0115B-WP	100x90x195	L/P	99-100,5	88,5-90	90	195	
	D-0142A/D-0089B-WP	D-0232A/D-0116B-WP	100x100x195	L/P	99-100,5	98,5-100	90	195	
D-0142A/D-0150B-WP	D-0232A/D-0148B-WP	100x110x195	L/P	99-100,5	108,5-110	90	195		
D-0142A/D-0151B-WP	D-0232A/D-0149B-WP	100x120x195	L/P	99-100,5	118,5-120	90	195		

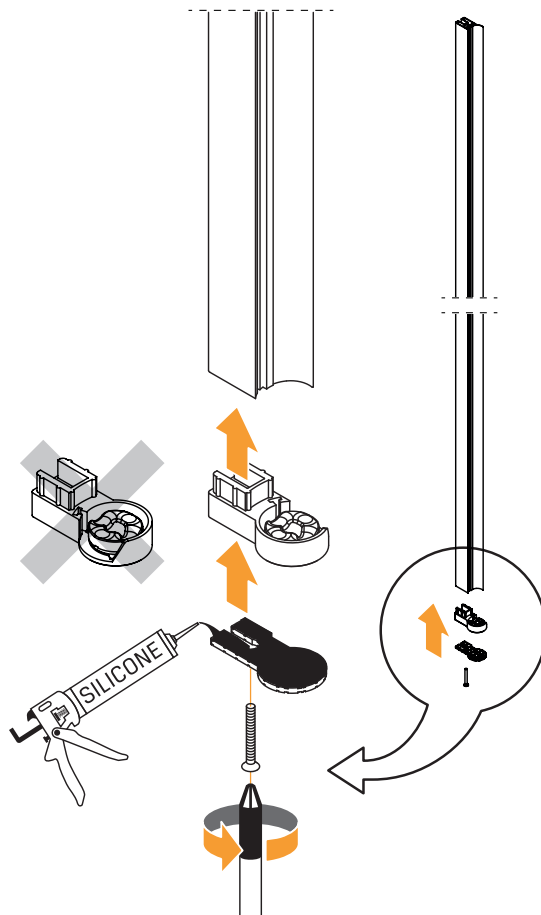
3.L



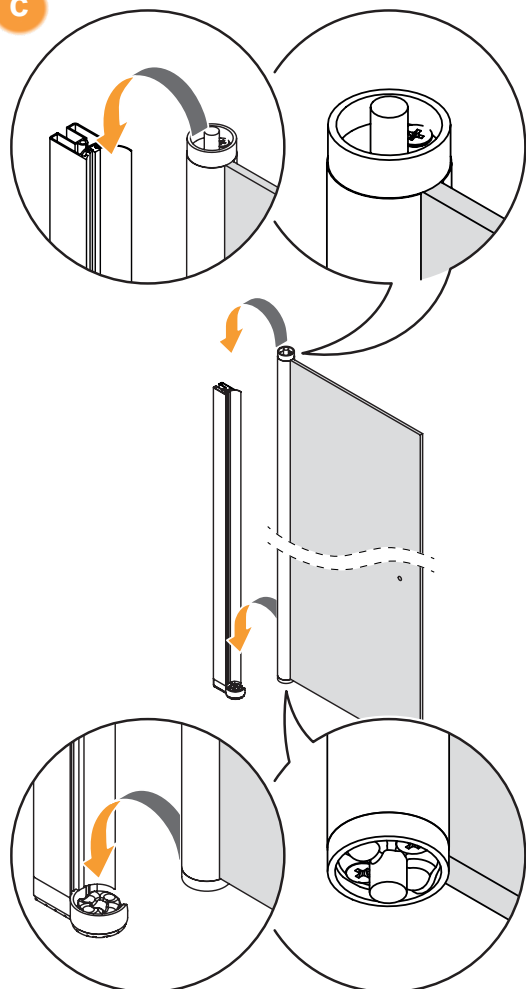
Drzwi LEWE
LEFT Door



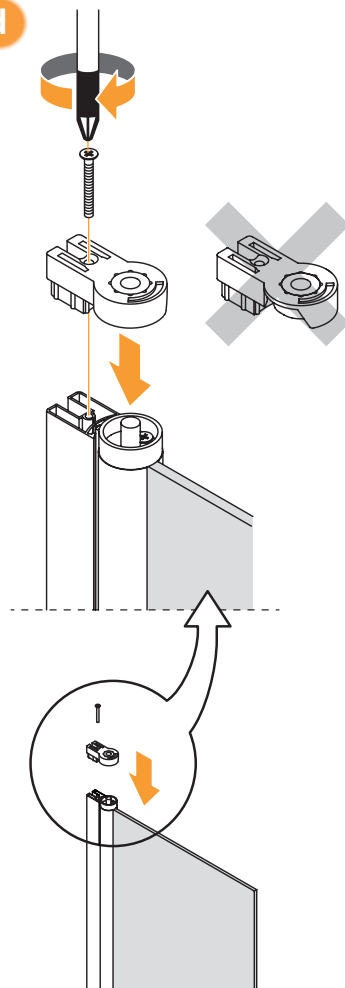
b



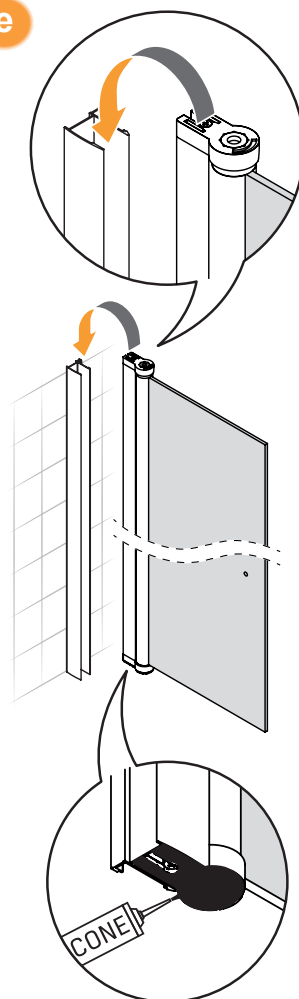
c

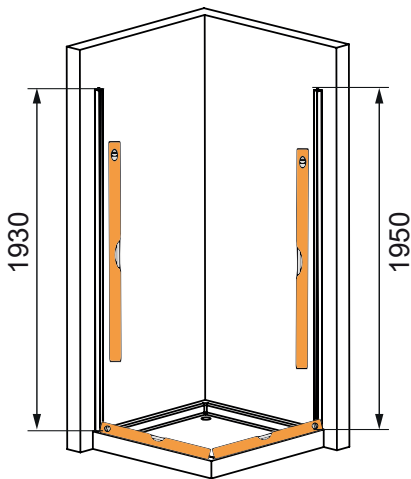
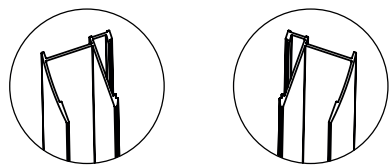


d

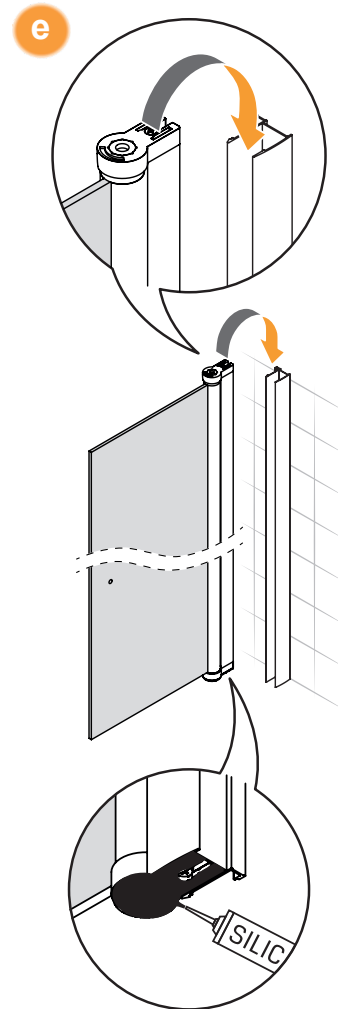
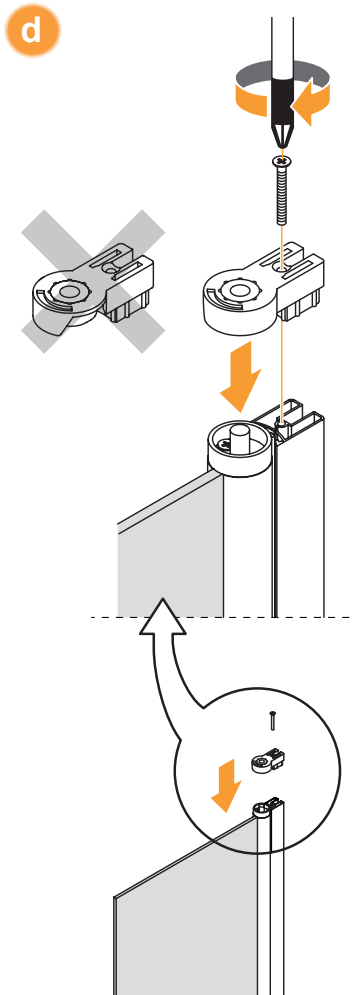
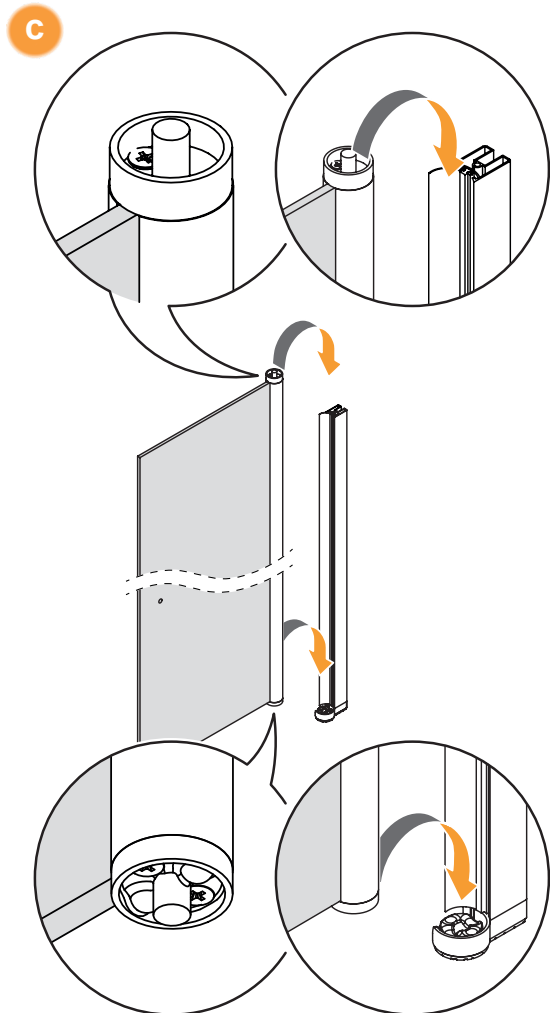
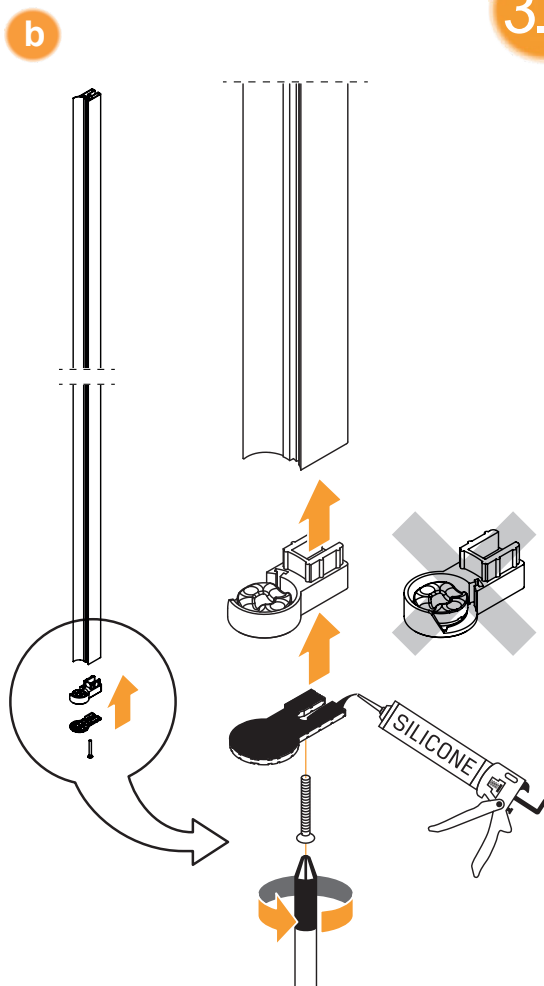
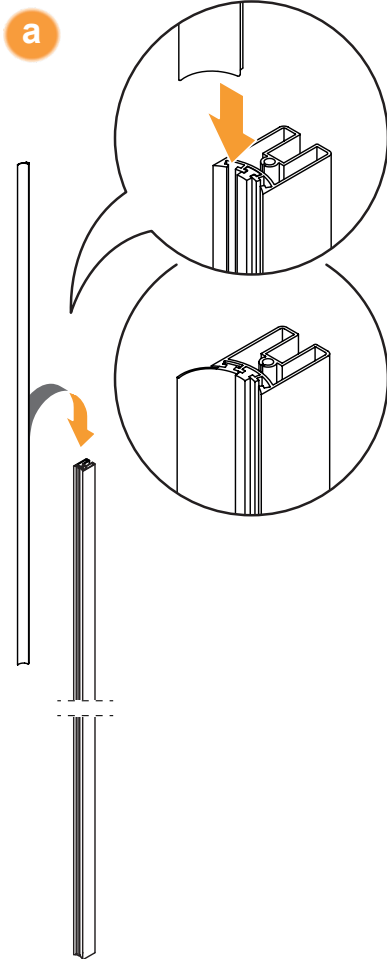


e



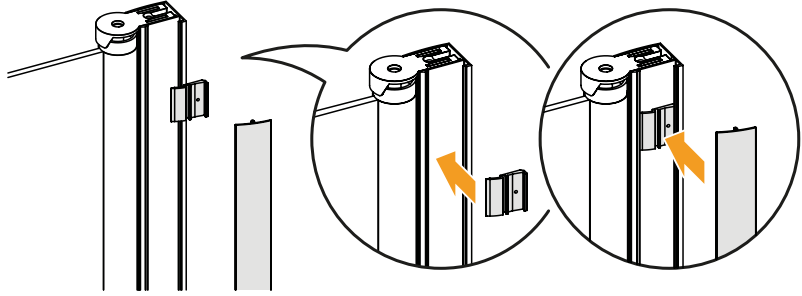
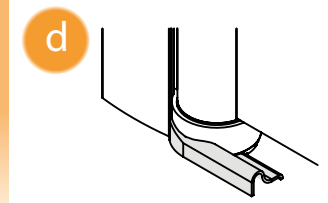
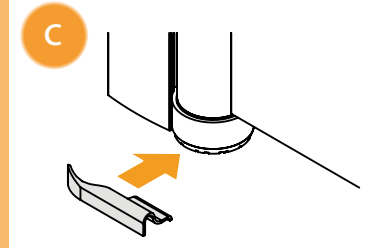
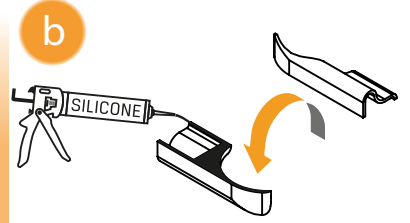
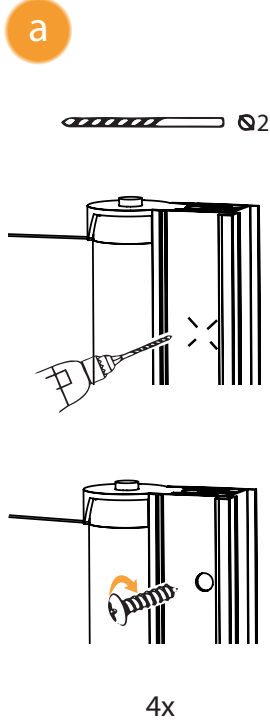
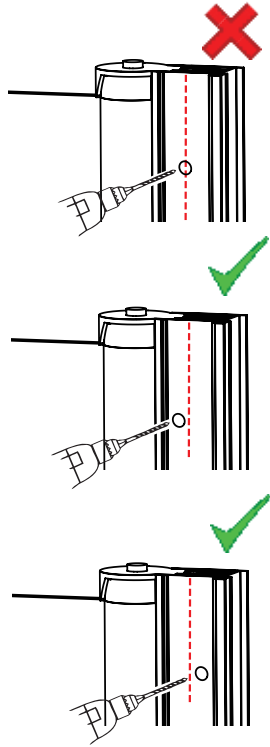
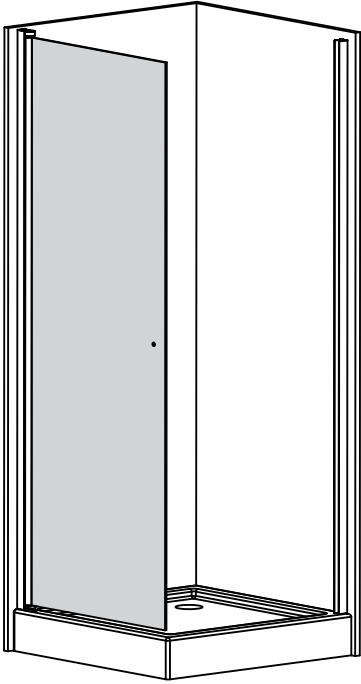


Drzwi PRAWE
RIGHT Door



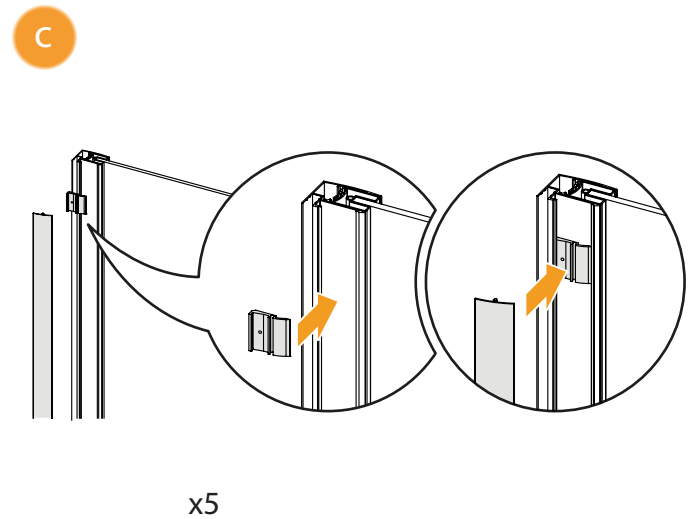
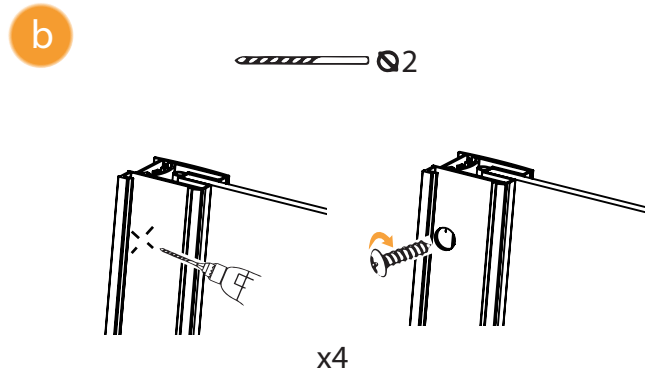
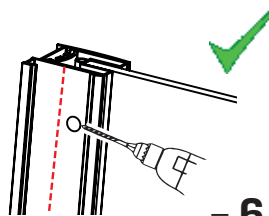
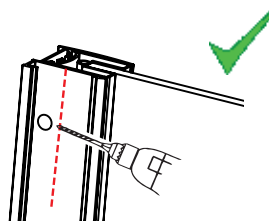
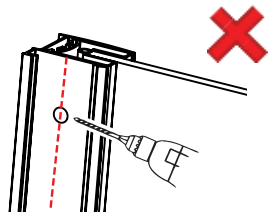
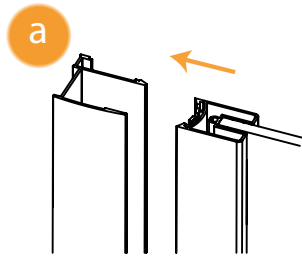
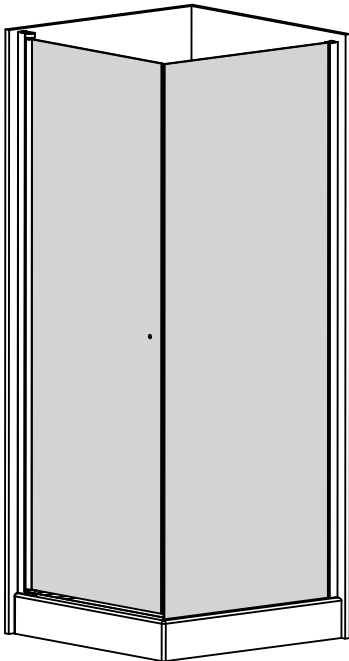
4

Active Shield
INSIDE

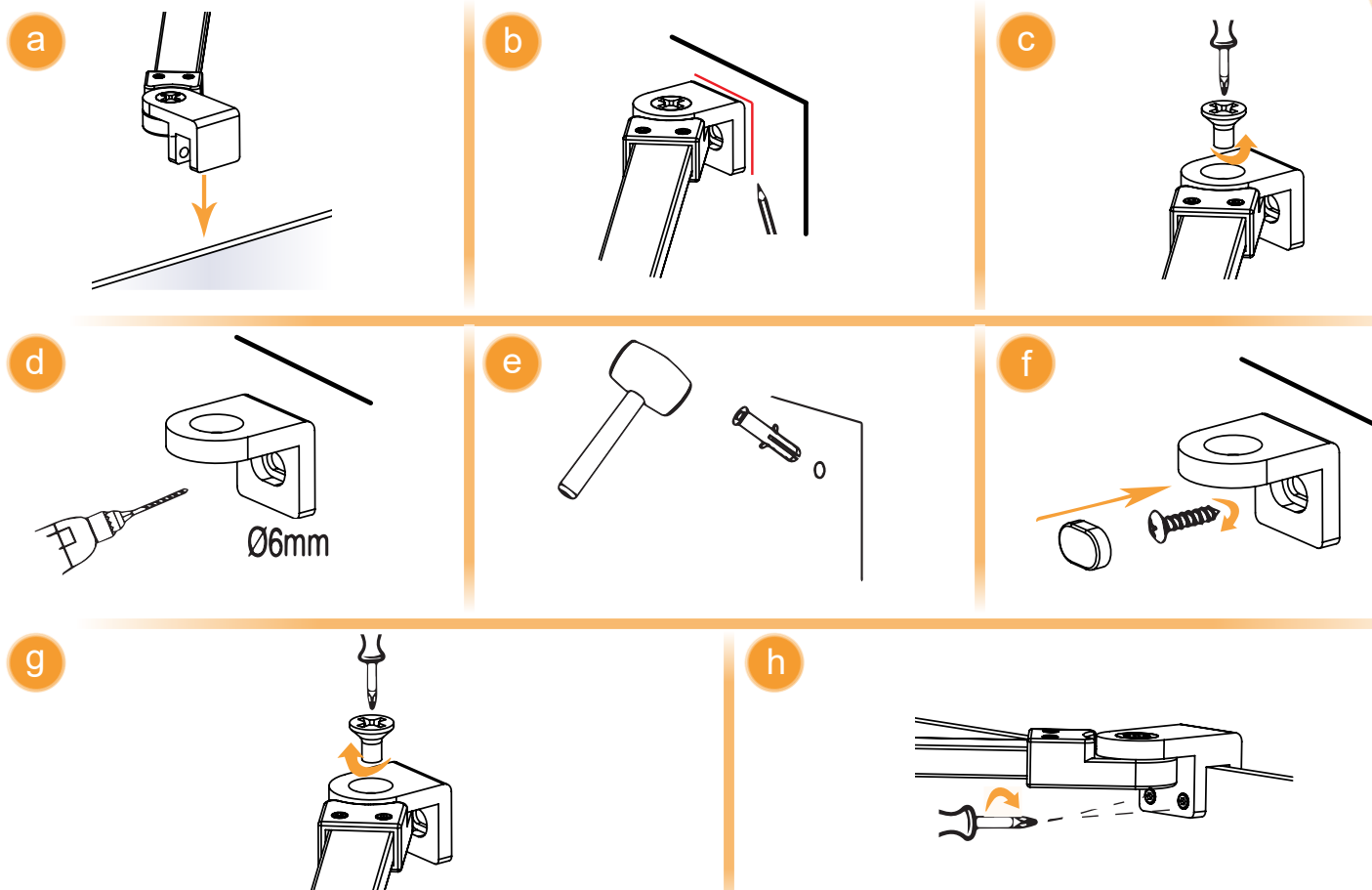
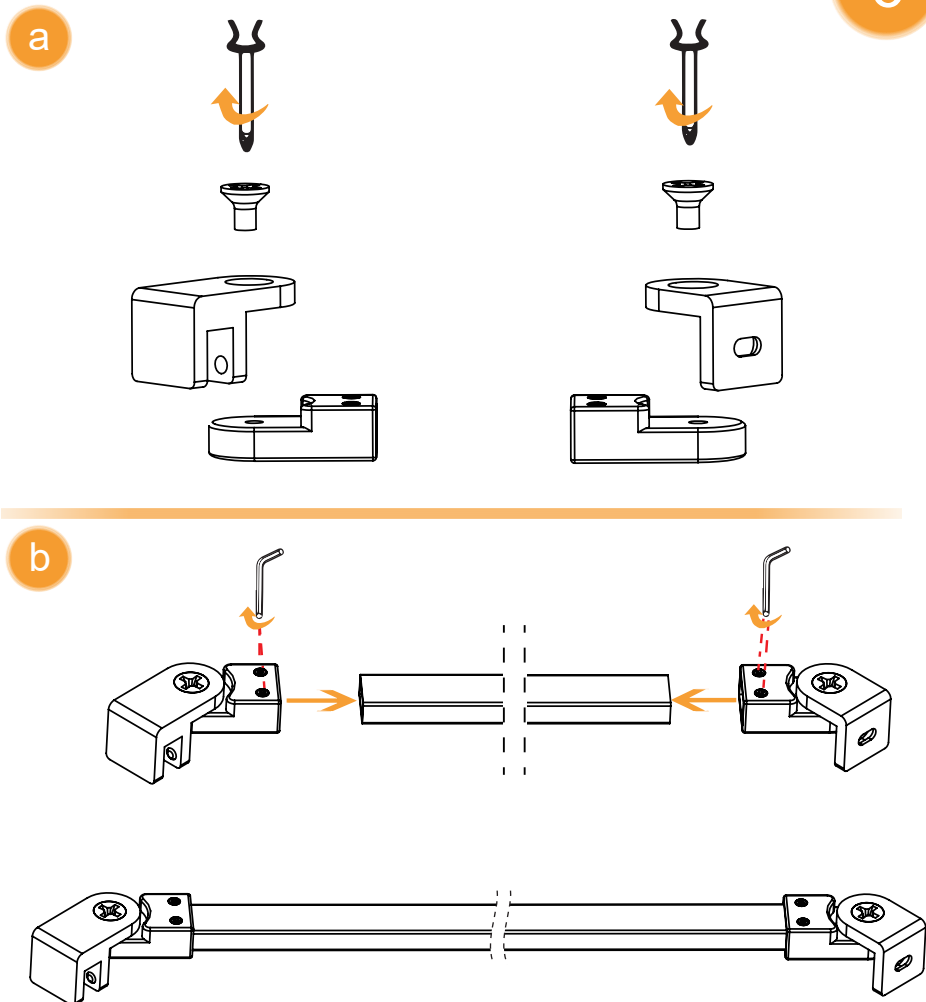
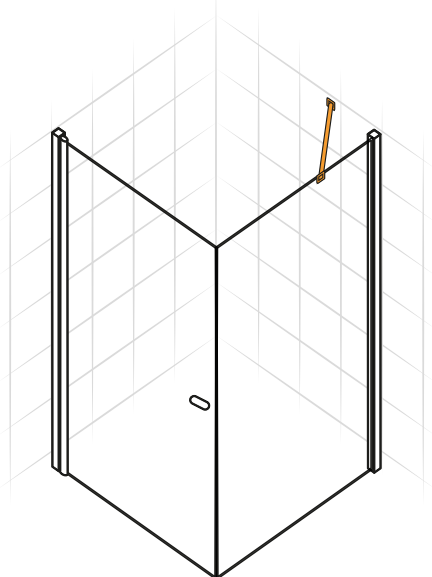


5

Active Shield
INSIDE



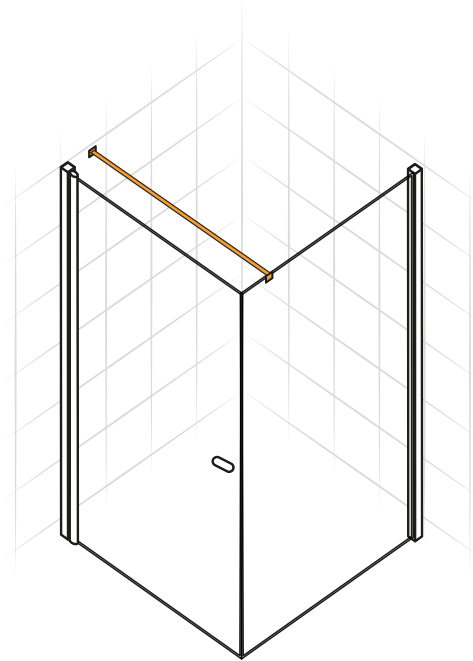
Opcja 1 - Option 1
(wspornik skośny)



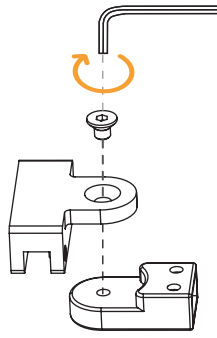
7

Opcja 2 - Option 2

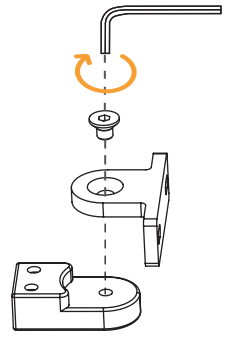
(wspornik równoległy - WP)



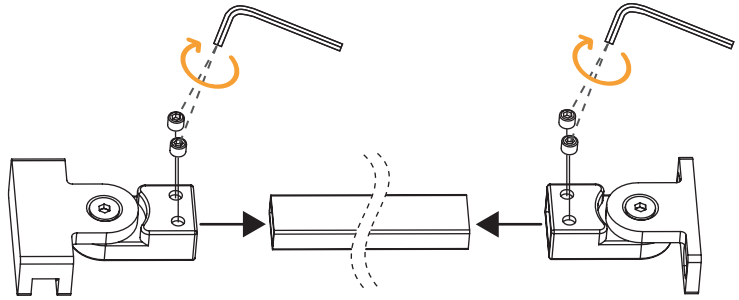
a



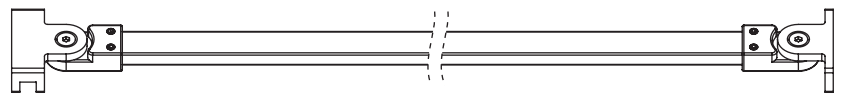
b



c

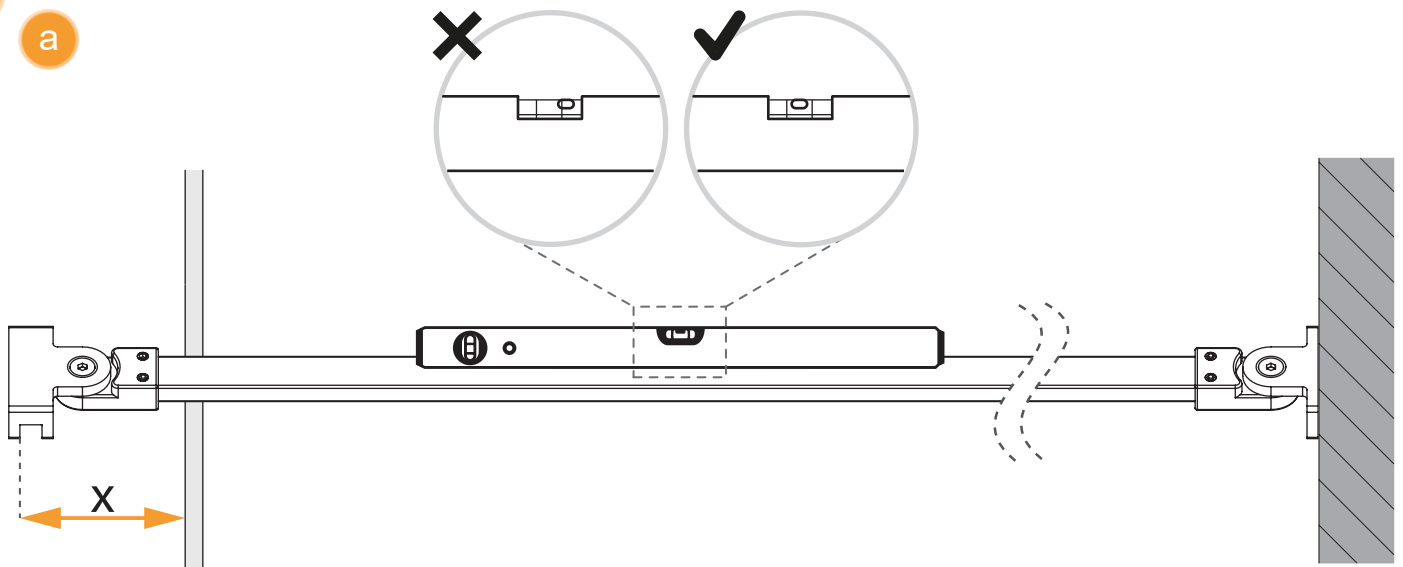


d

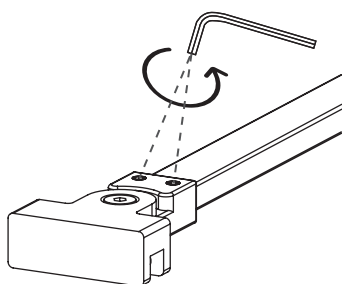


7.1

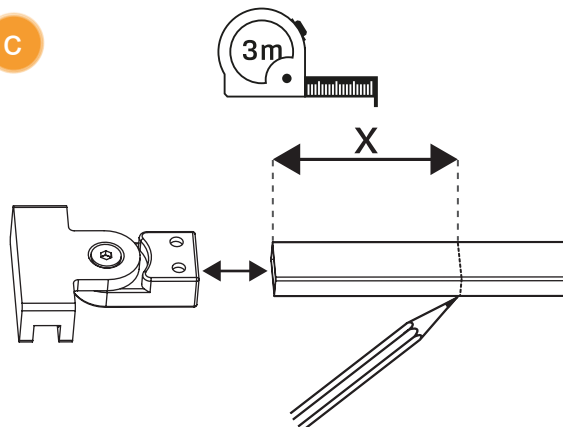
a



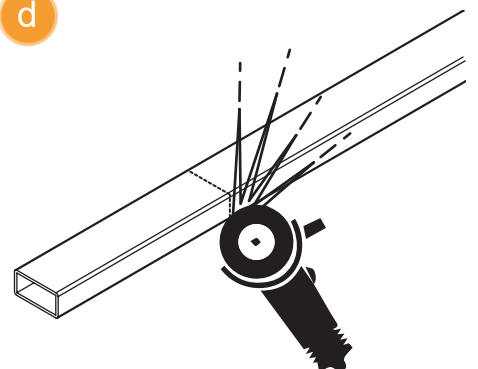
b

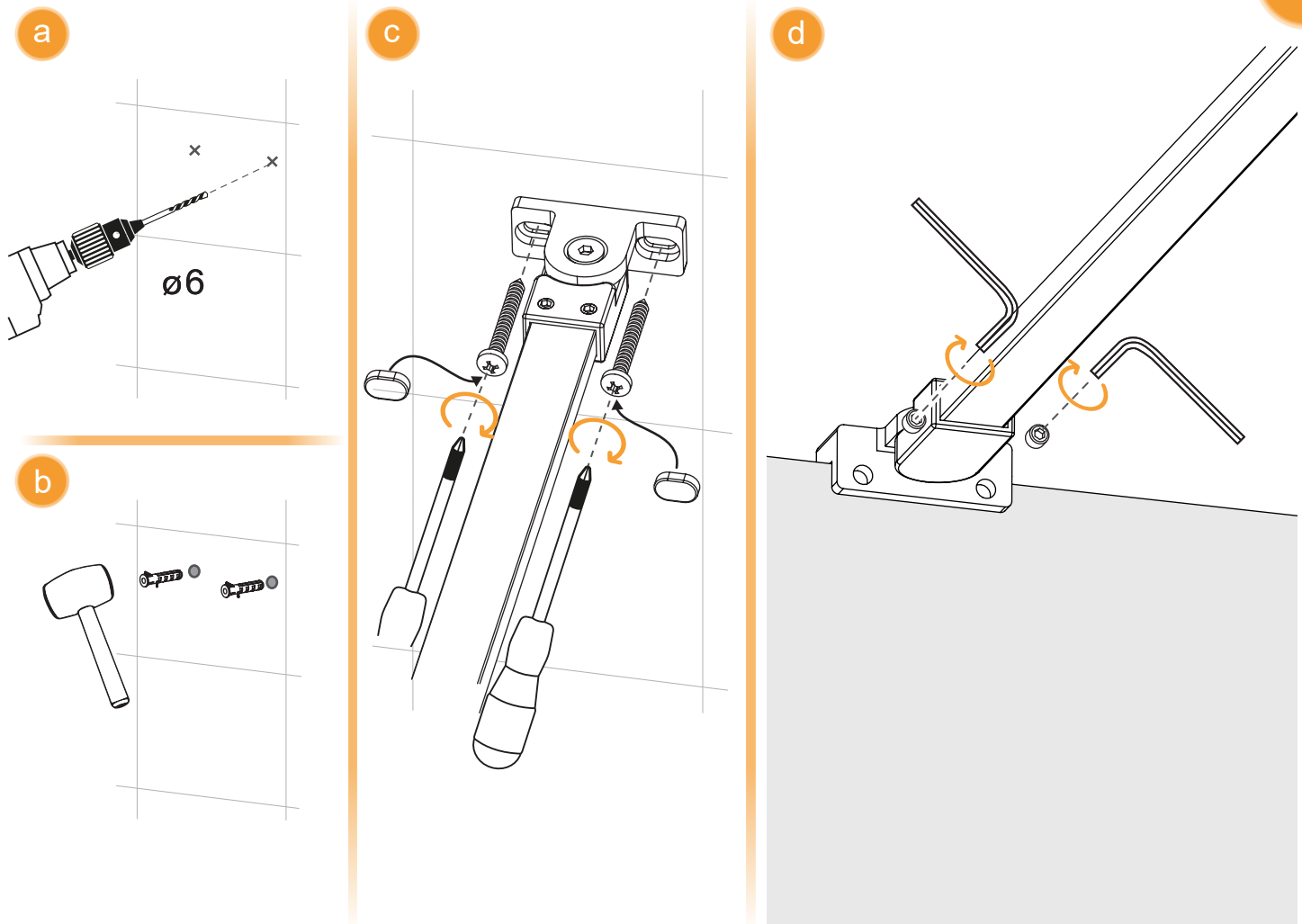
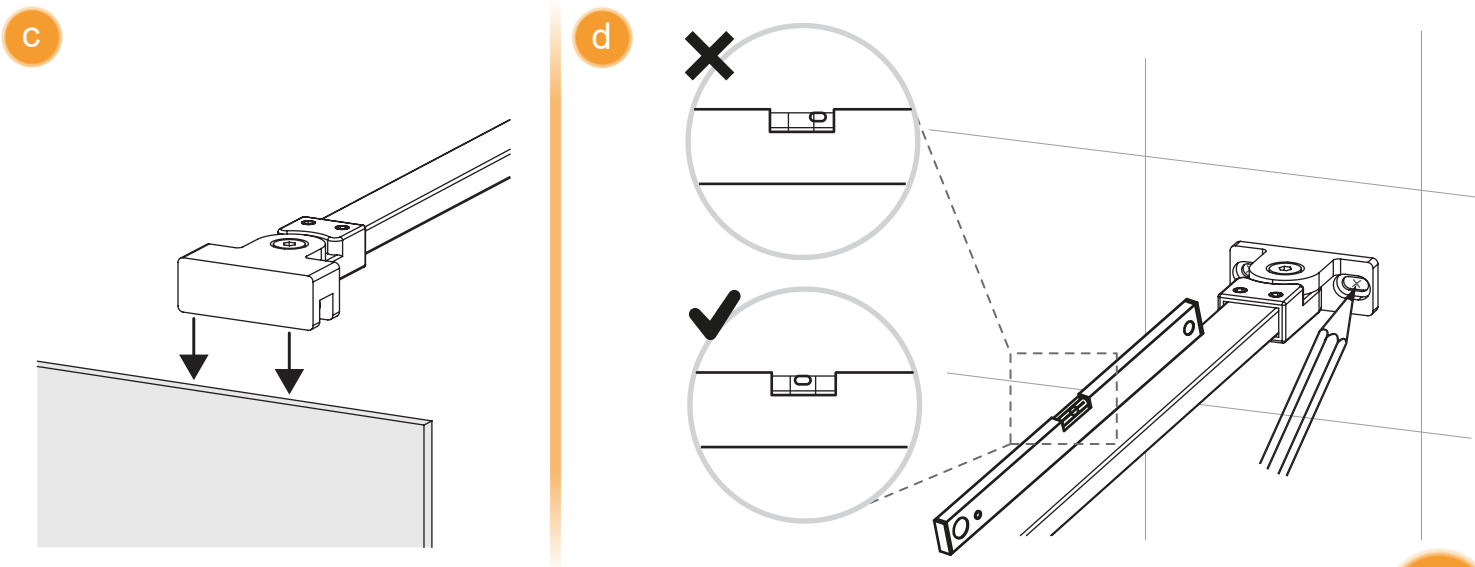
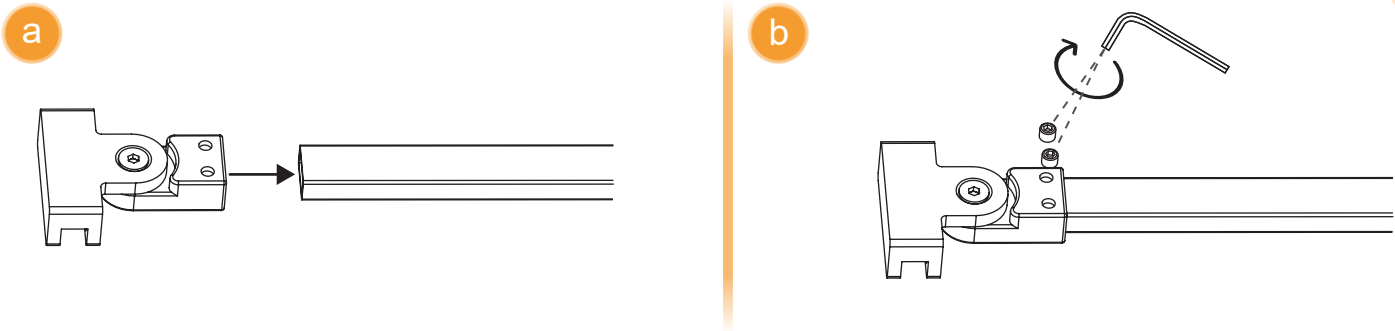


c

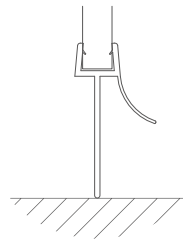
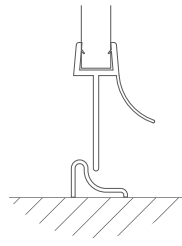
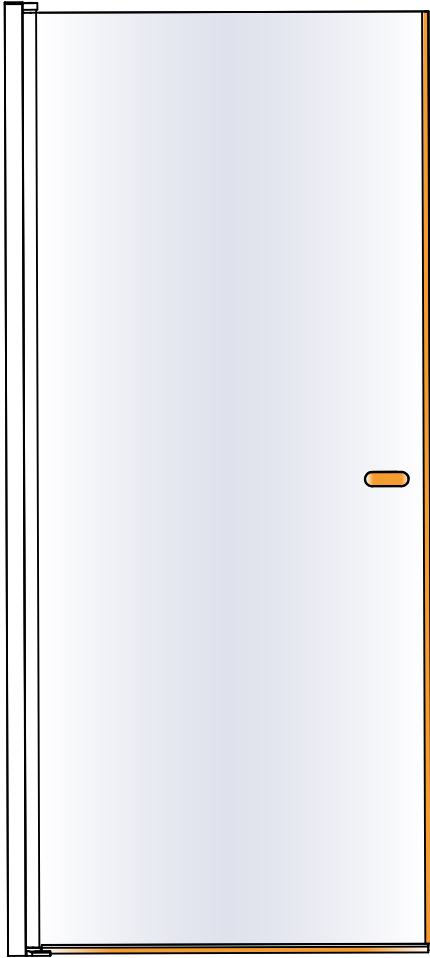


d

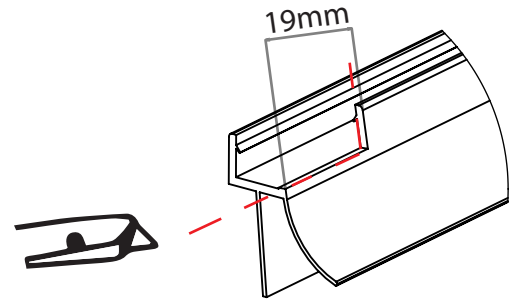




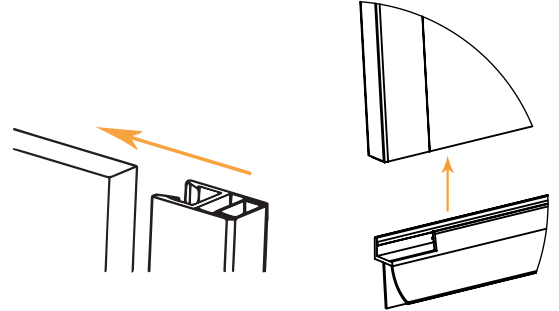
8



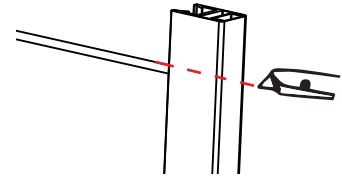
a



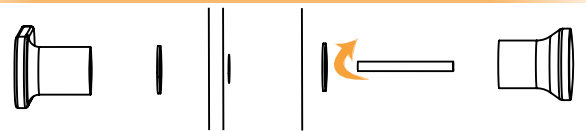
b



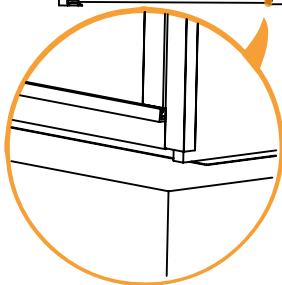
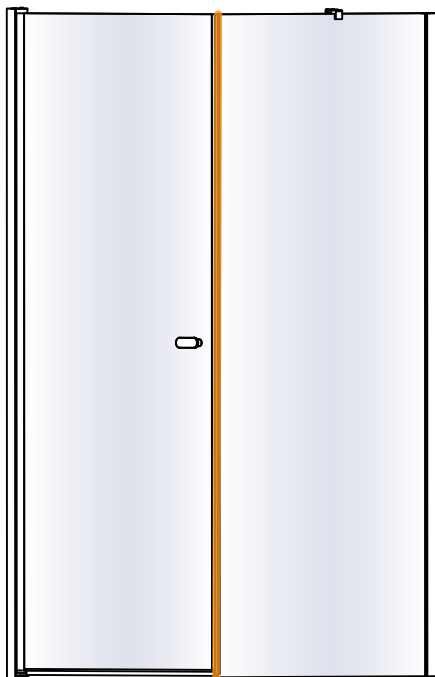
c



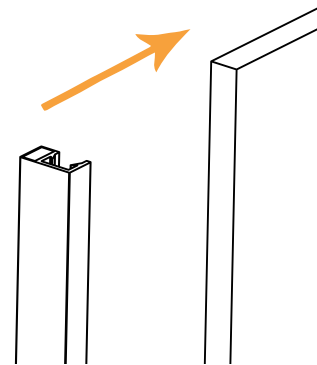
d



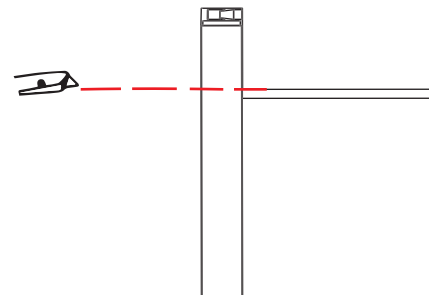
9



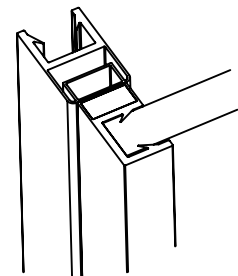
a

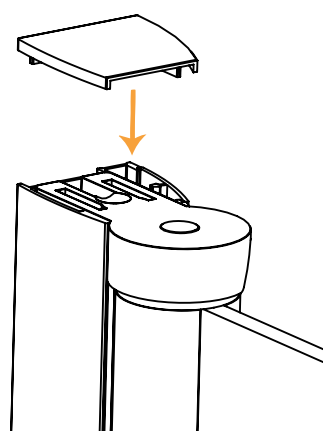
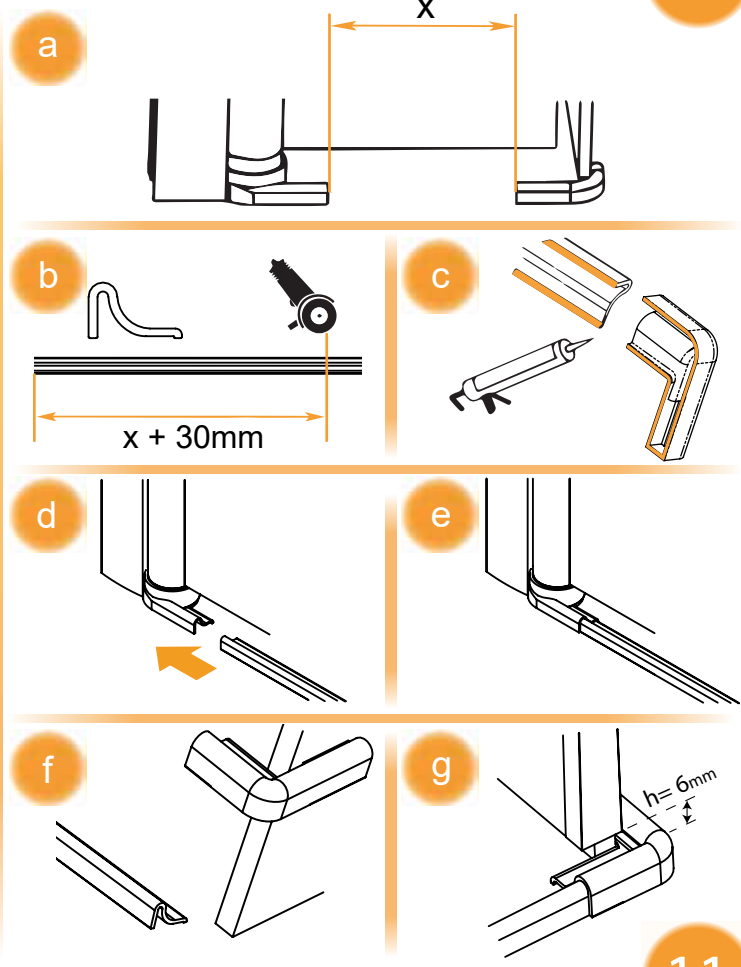
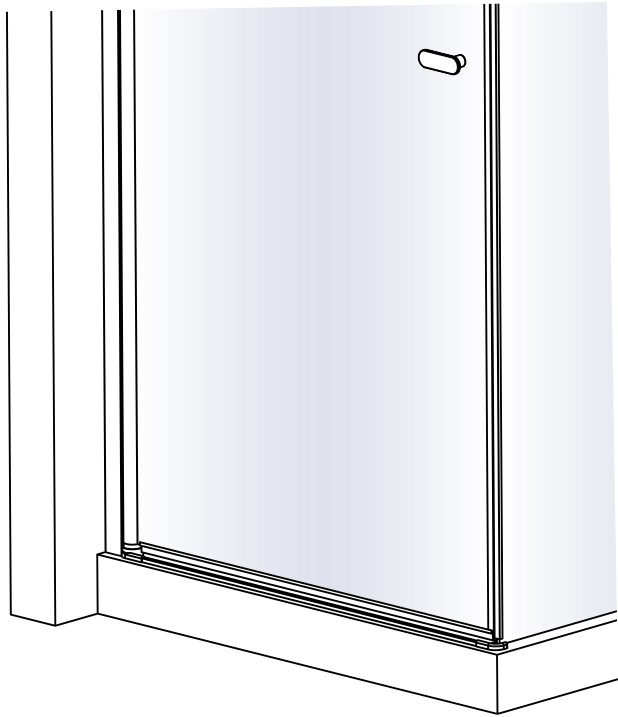


b



c





24H

