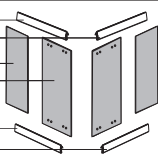

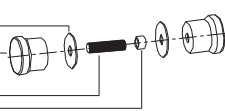

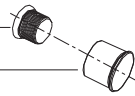

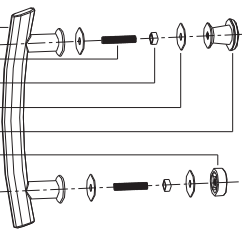
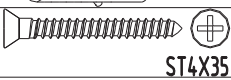
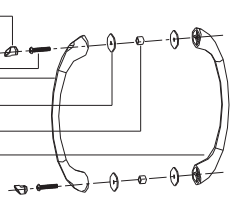

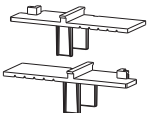


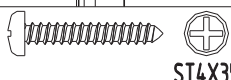


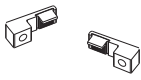


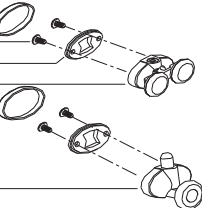
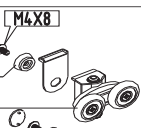



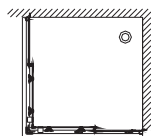
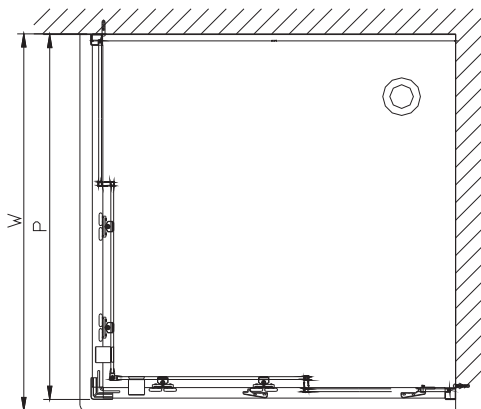
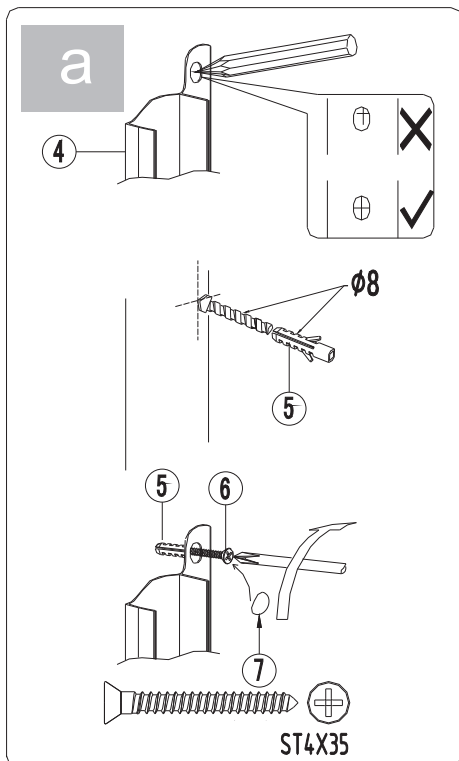
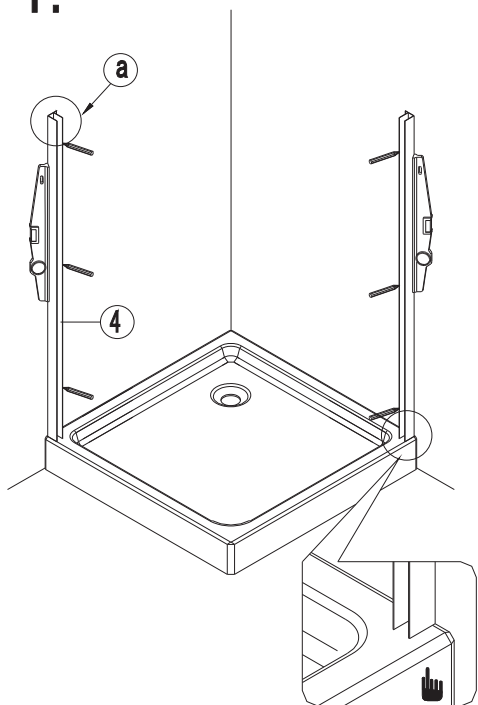


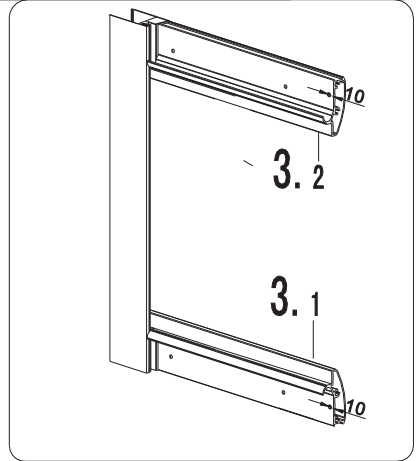
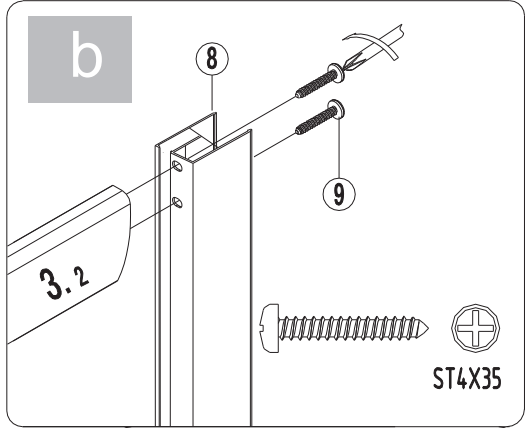
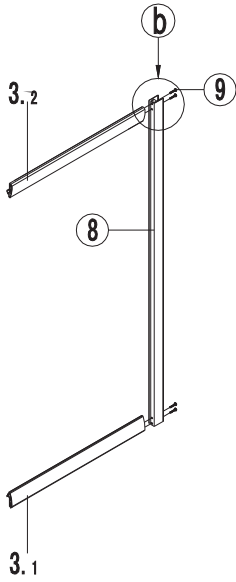
NO.	Designation	Pieces	NO.	Designation	Pieces	
3.1 3.2 1 2		X2 X2 X2 X2	13	no handle		
3.2 3.1				A.1 A.2 A.3 A.4		X4 X4 X2 X2
4		X2		B.1 B.2		X2 X2
5	 $\phi 8$	X7		C.1 C.2 C.3 C.4 C.5 C.6		X2 X4 X4 X8 X2 X2
6	 \oplus ST4X35	X7		D.1 D.2 D.3 D.4 D.5 D.6		X4 X4 X2 X8 X4 X2
7		X15		14		X1 X1
8		X2		15		X8
9	 \oplus ST4X35	X9		16	 \oplus ST4X10	X17
10		X2		17.1 17.2		X2 X2
11	 \oplus ST4X10	X5			 $\phi 8$ $\phi 3.2$	
12		X8 X16 X8 X4 X4				
		X8 X8 X8 X8 X4				
		X4				
		X4				
		X4				

1.

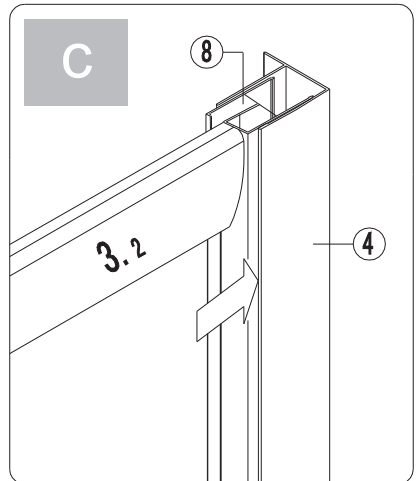
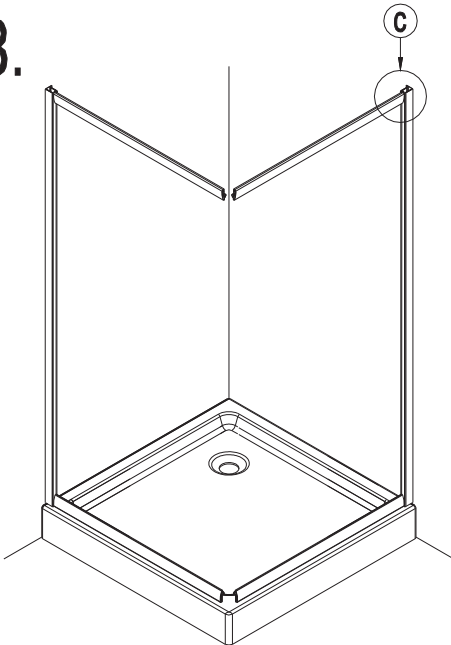


	P	W
765	765-790	800
865	865-890	900

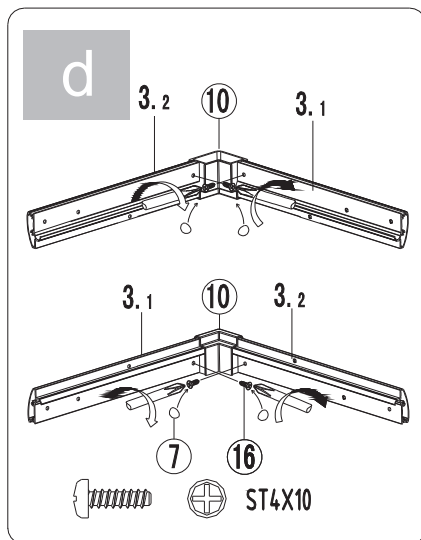
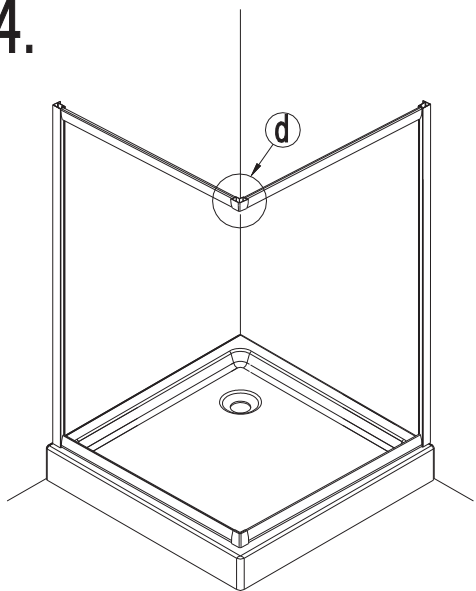
2.



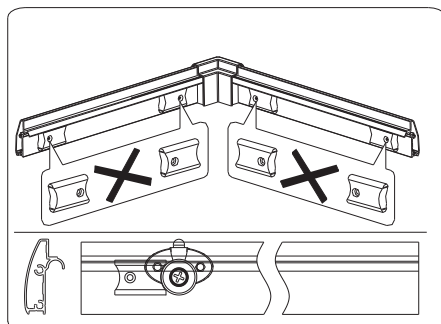
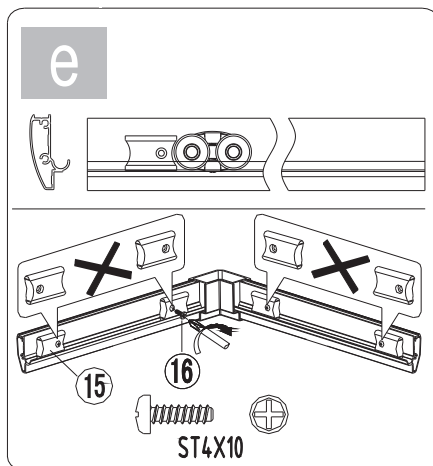
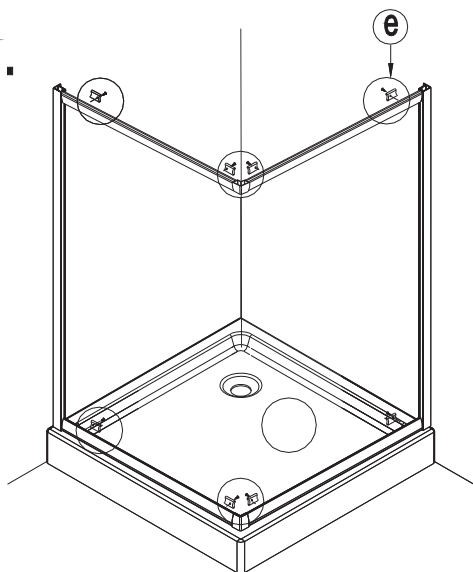
3.



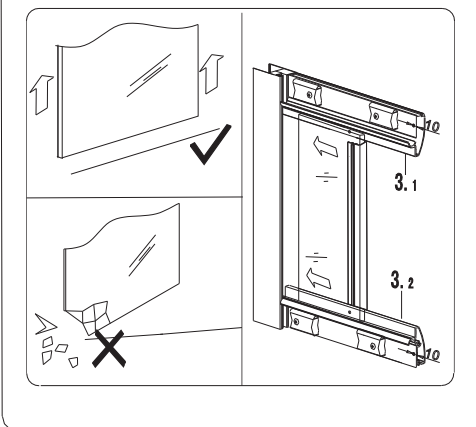
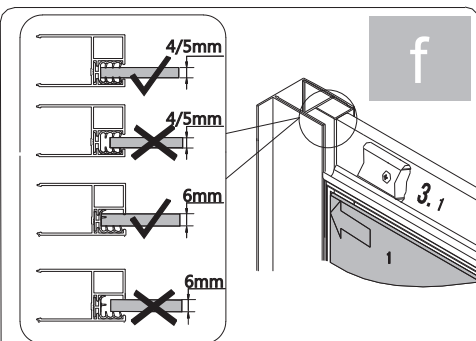
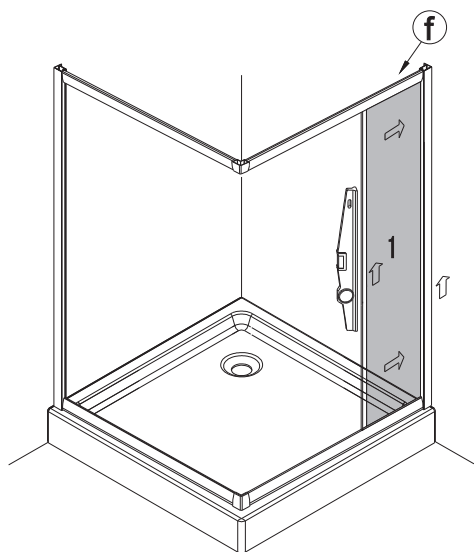
4.



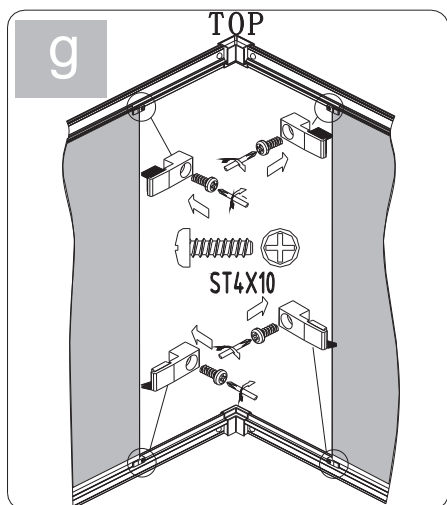
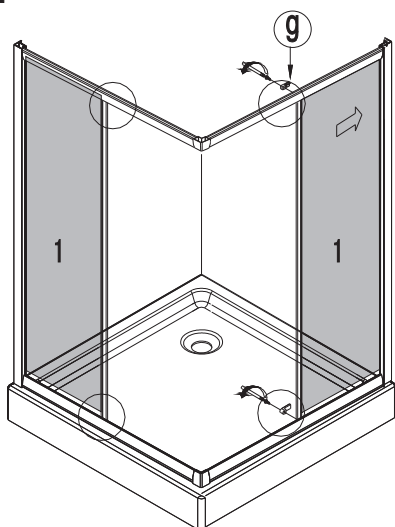
5.



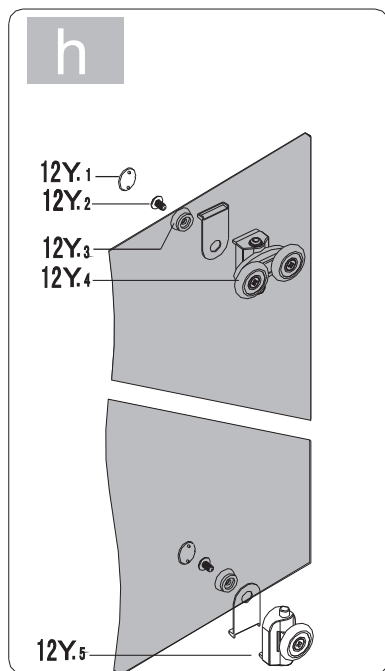
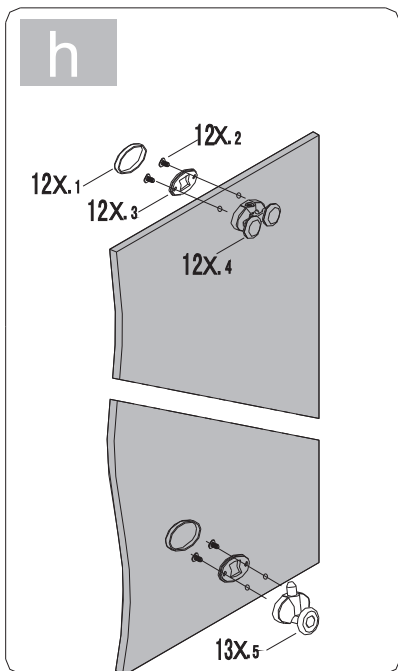
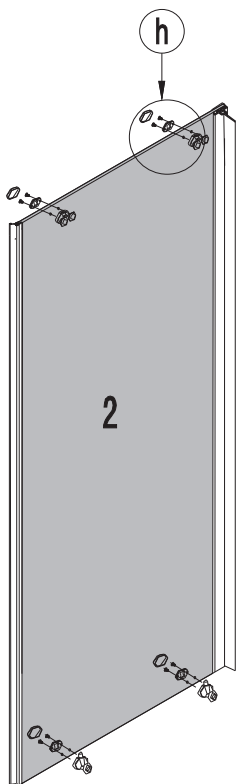
6.



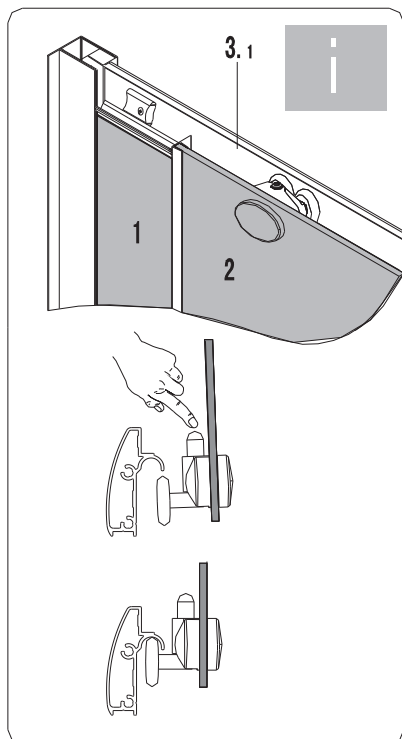
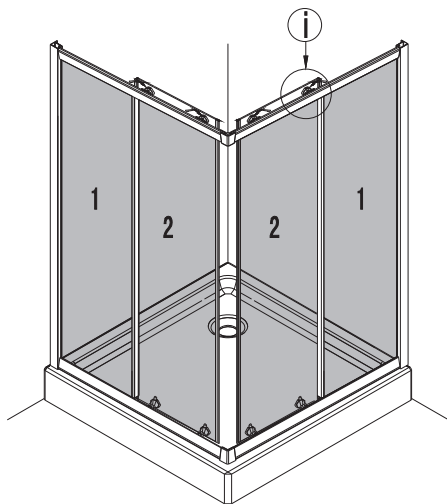
7.



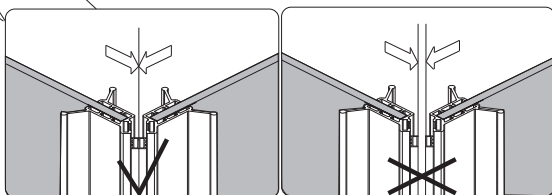
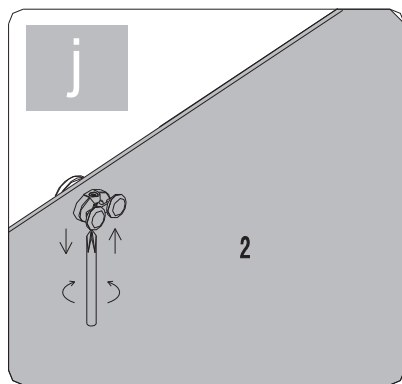
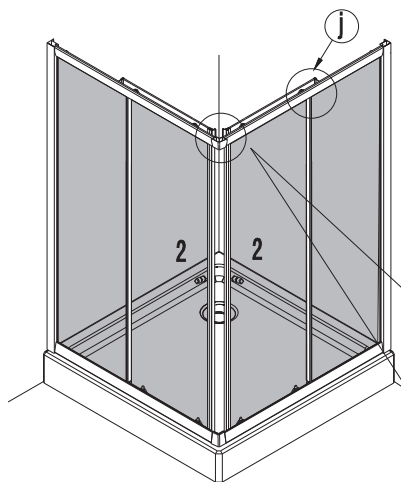
8.



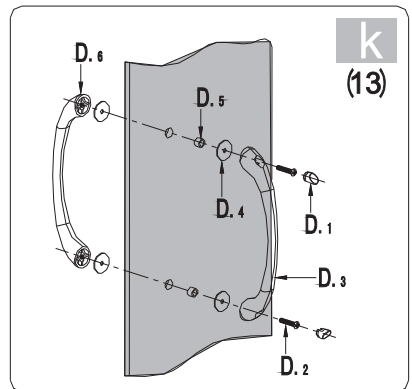
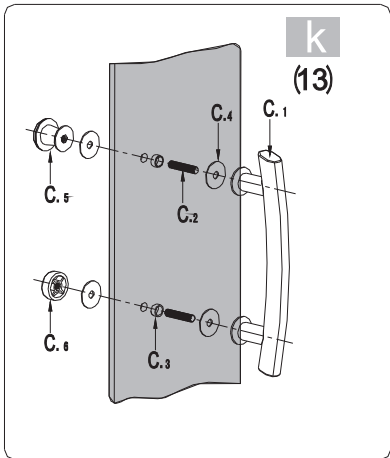
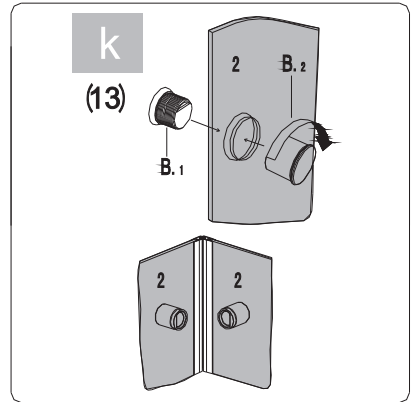
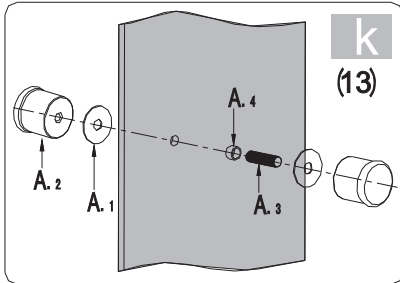
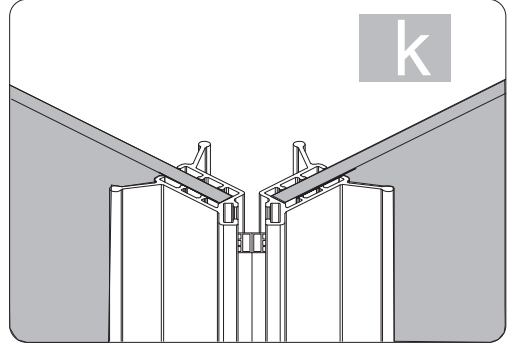
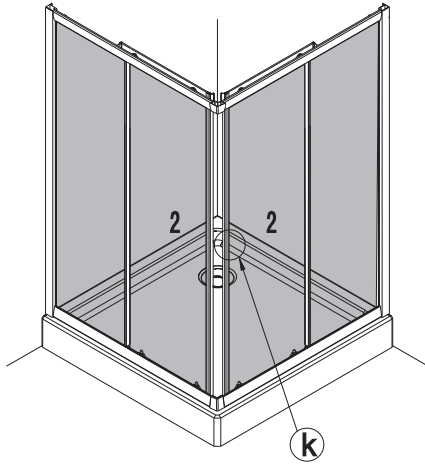
9.



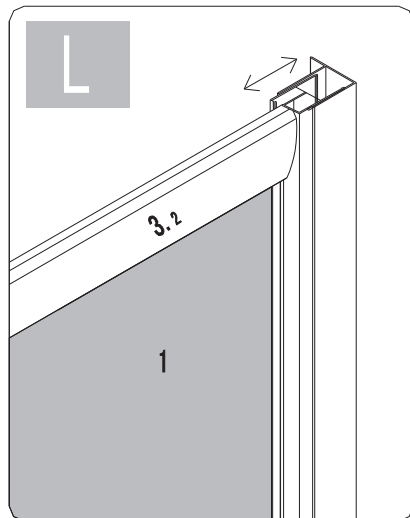
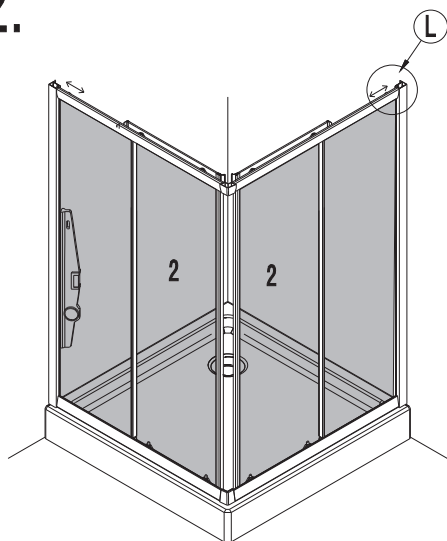
10.



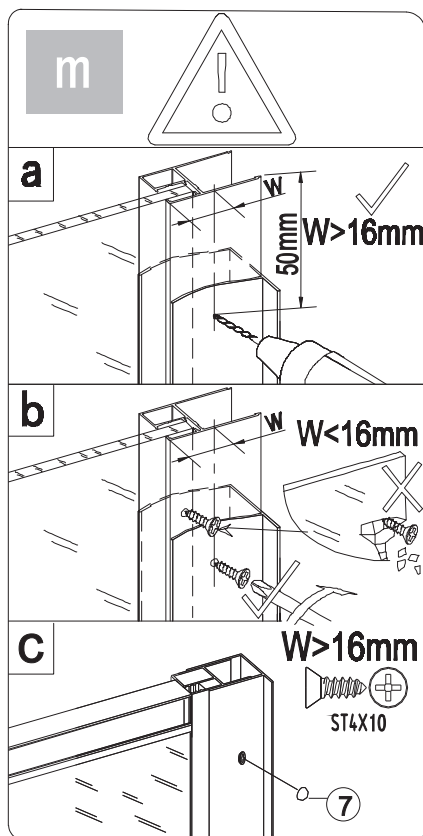
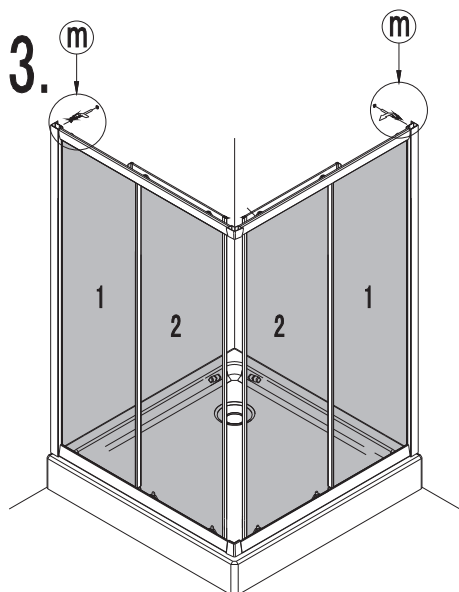
11.



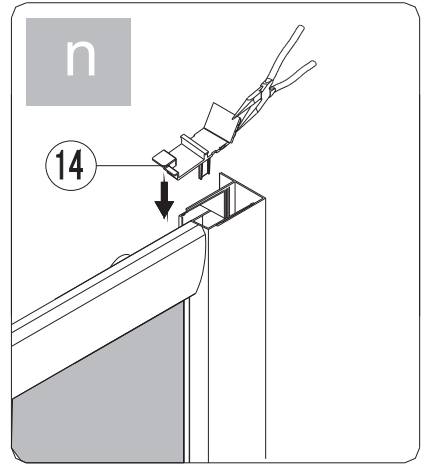
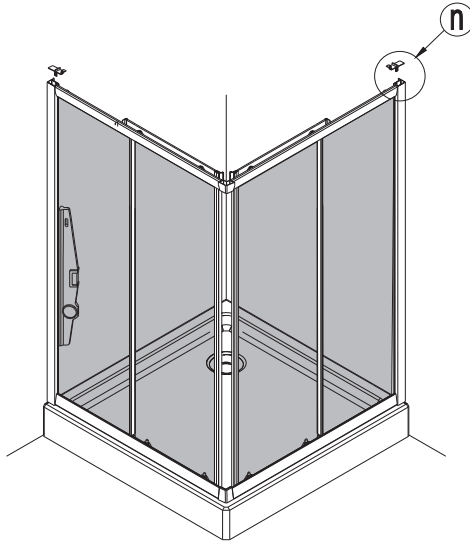
12.



13.



14.



15.

24h 

