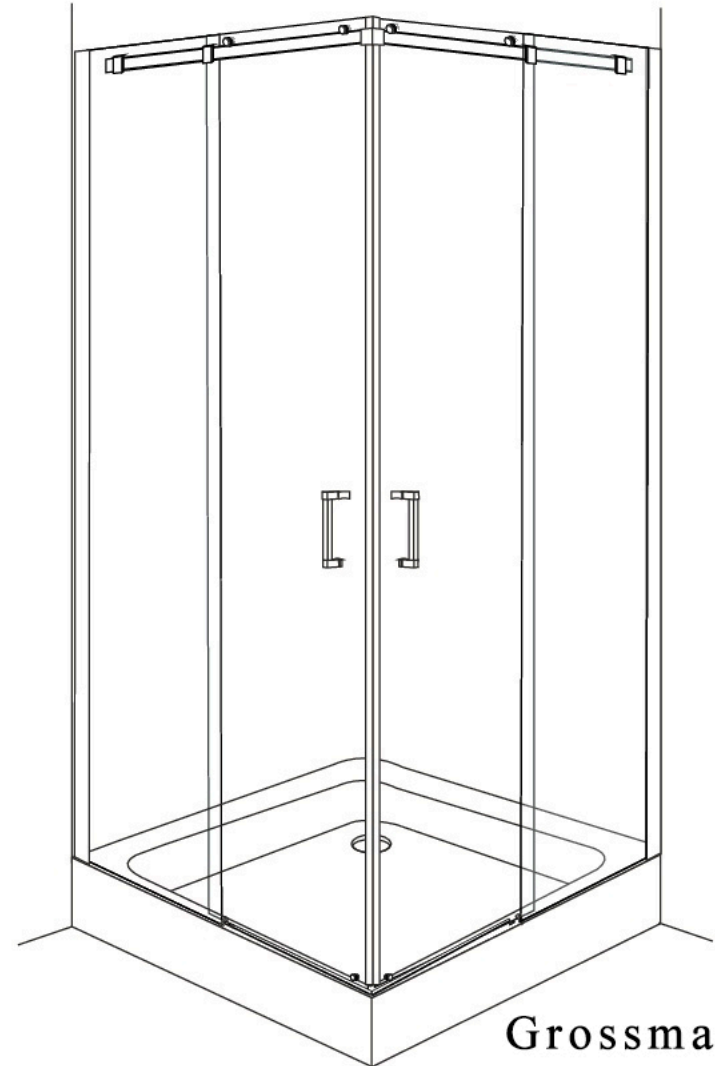


Инструкция по установке
Grossman GR-1110L/R



Grossman.su

SIZE:90x90x205cm **продажа, установка**
SIZE:120x80x205cm **8(495)972-80-69**



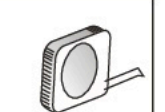






Important Reminder

1. Please install the shower enclosure according to the instruction strictly otherwise, it will affect the operational performance.
2. After opening the carton, please check the parts according to the part list.
3. Please handle the glass parts carefully, don't knock on the glass to avoid damage.
4. After installation completely, please use it after 24 hours.

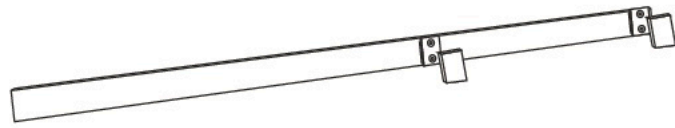




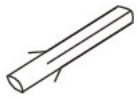


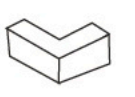



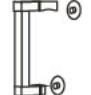

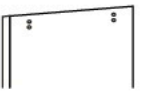



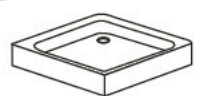


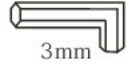
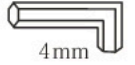


Notice

1. Do not let children, old people or disabled people enter the room alone.
2. Do not climb or hang heavy things on the shower enclosure.
3. Do not knock and impact the glass with heavy things.
4. Caution slippery on the inside of the shower enclosure.
5. Ordinary liquid detergent should be used with a soft cloth for cleaning.
6. Apply silicone to prevent water leakage.
7. Keep the tray clean, avoid hair and sundries to jam the drain.

Tools:

				
Spirit Level	5.5mm drill	Tape measure	Cross screw driver	Wrench
				
Scissors	Silicone Gun	Pencil	Rubber mallet	

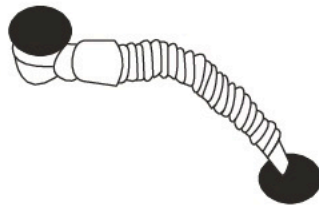
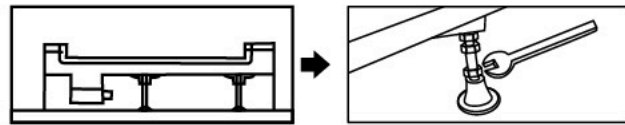
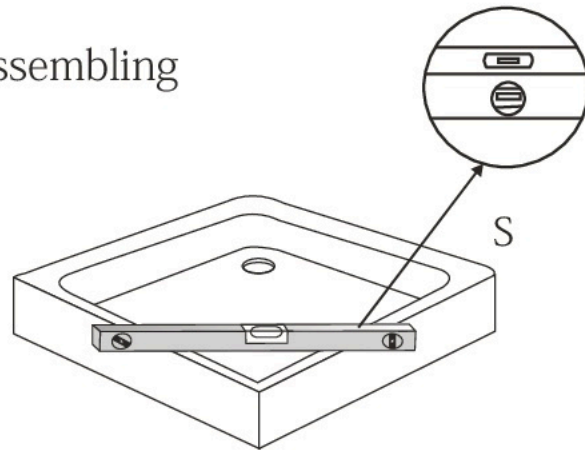
Part list

A 				X2
B 	C 	D 	E 	
Screws ST4X25 X8	Flathead screws ST4X25 X5	Flathead screws ST4X40 X5	Flathead screws ST4X8 X4	
F 	G 	H 	I 	
Wall plug X13	L-shaped Connector	Corner Connector	L-shaped cover cap	
J 	K 	L 	M 	
Glass Clip X2	up roller X6	bottom roller X4	Handle X2	
N 	O 	P 	Q 	
Wall Profile X2	Fixed Glass X2	Sliding Door X2	Rubber Seal X4	
R 	S 	T 	U 	
Magnetic Seal X2	Shower Tray (Available Separately)	Bottom Rail X2	Screw cover cap X2	
V 	W 	X 	Y 	
3mm Allen Key	4mm Allen Key	Drill bit 3mm	Screws ST4X10	

Installation Procedure

STEP1:

Tray assembling

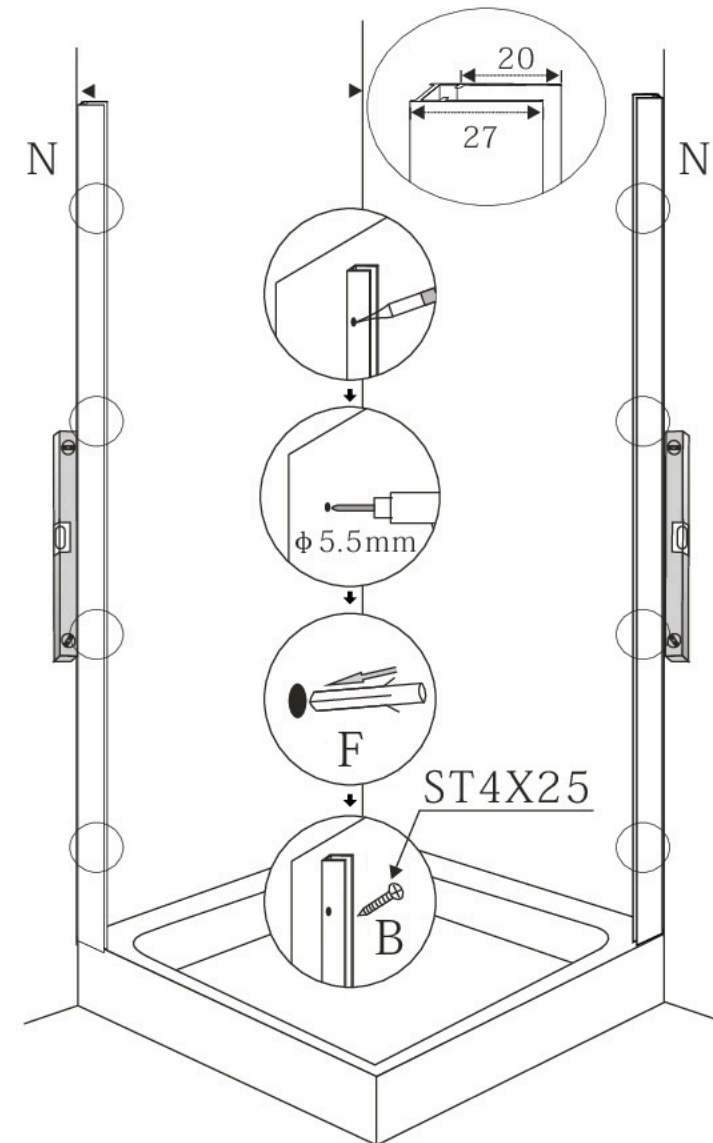


Connect the waste pipe of shower tray to the waste pipe in the floor.

- Fit the shower tray(available separately) in the required position.
- If the shower enclosure is not being installed on a shower tray, please choose a suitable flooring type to fit the enclosure to.

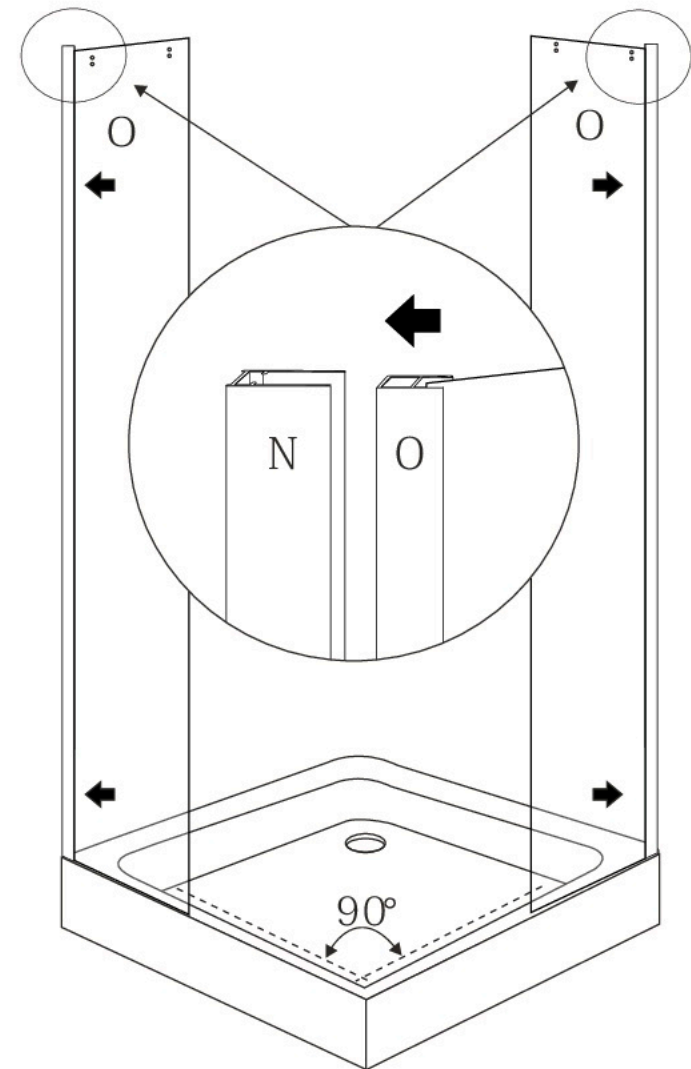
STEP2:

Wall profiles assembling



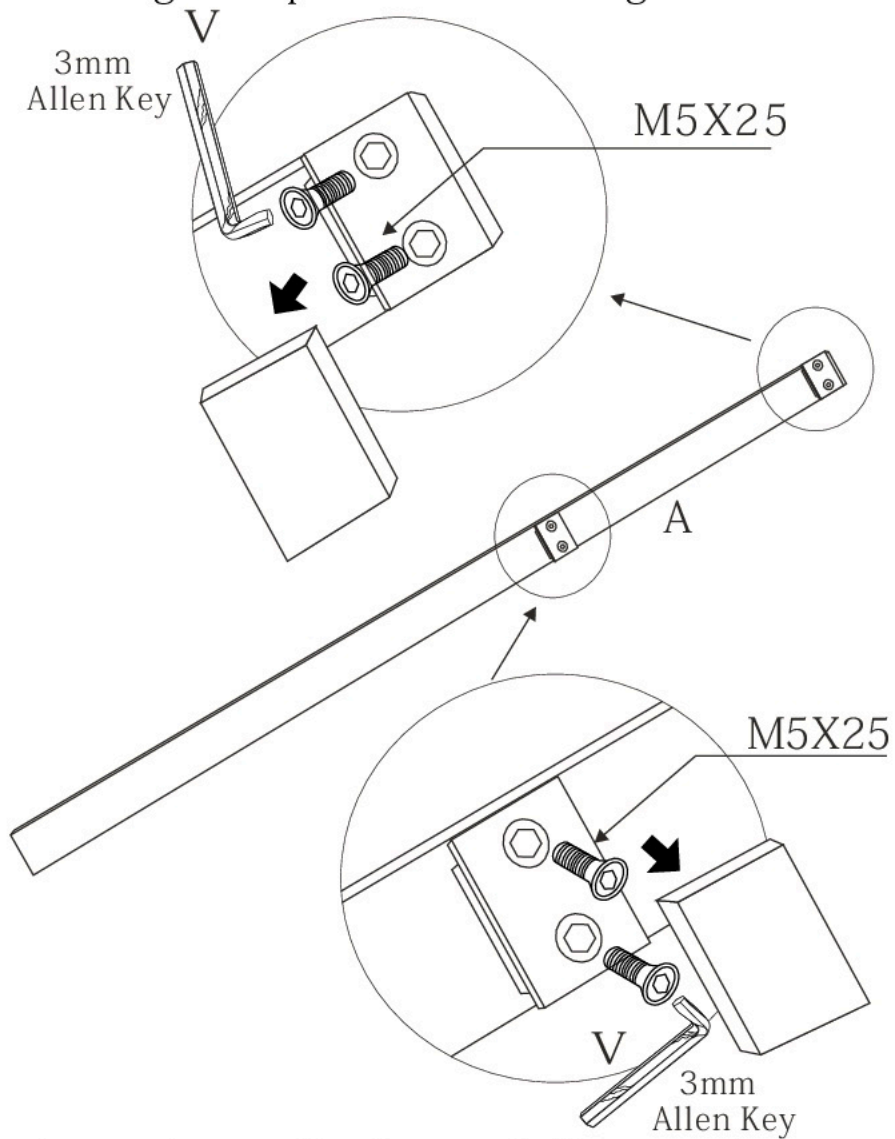
- Measure the correct distance from the corner to the required positions of the outside of the wall profiles and mark this position on the wall with a pencil.
- Position the wall profiles against these marks and use a spirit level to ensure they are vertical.
- Using the wall profiles as a template, mark the positions of the pre-drilled holes on the wall.
- Drill the positions marked using a 5.5mm drill bit.
- Use a rubber mallet to insert the wall plugs into the holes.
- Fix the wall profiles with screws 4x25mm [B] .

STEP3: Fixed glass panels Assembling



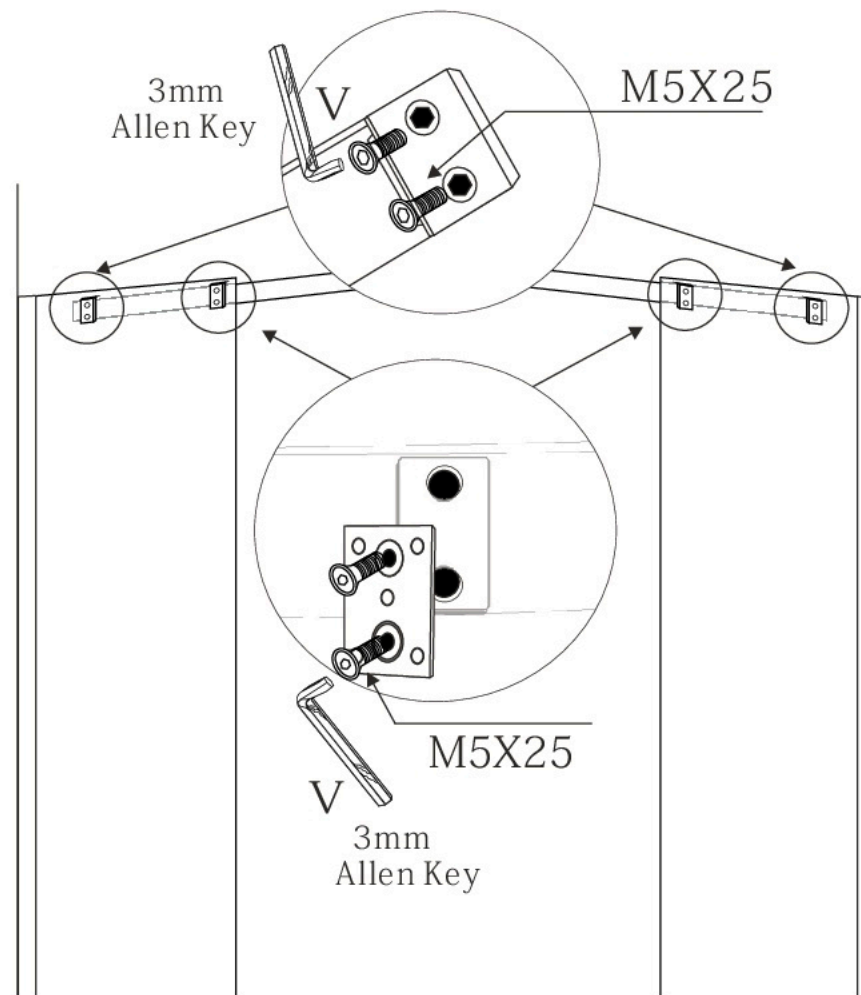
- Insert the fixed glass panels into the wall profiles.
(Note: please make sure the two glass panels are vertical with each other.)

STEP4:
Fixed glass panels Assembling



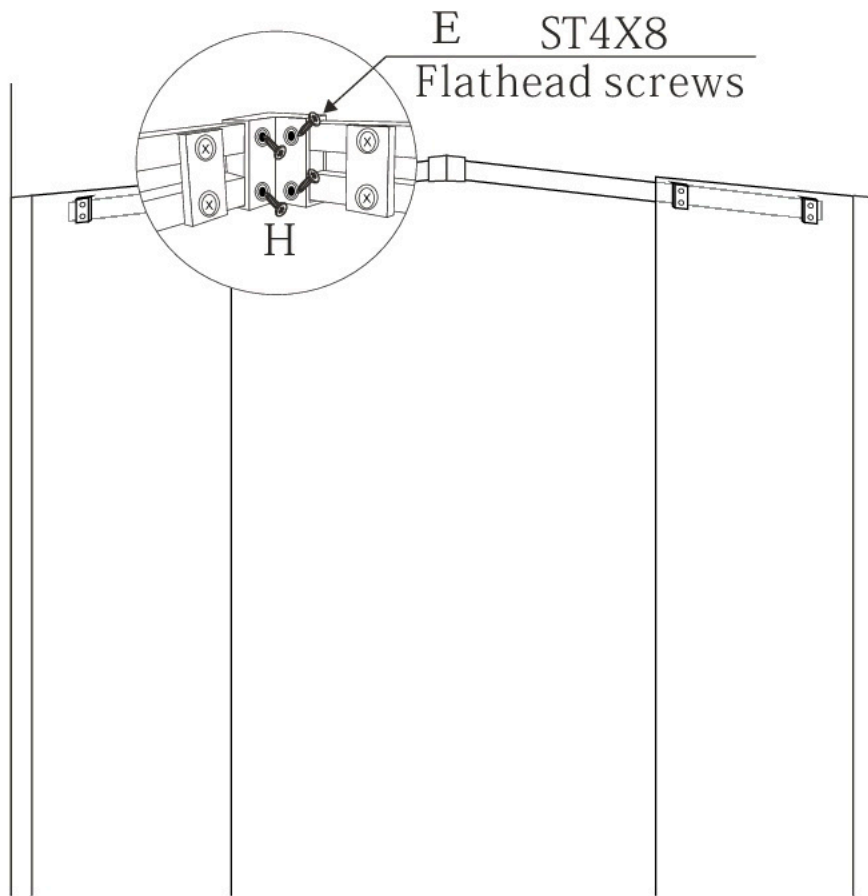
-Loose the pre-fixed screw 5x25mm and dis-assembled the pre-fixed plastic connectors on the top rails.

STEP5:
Fixed glass panels Assembling



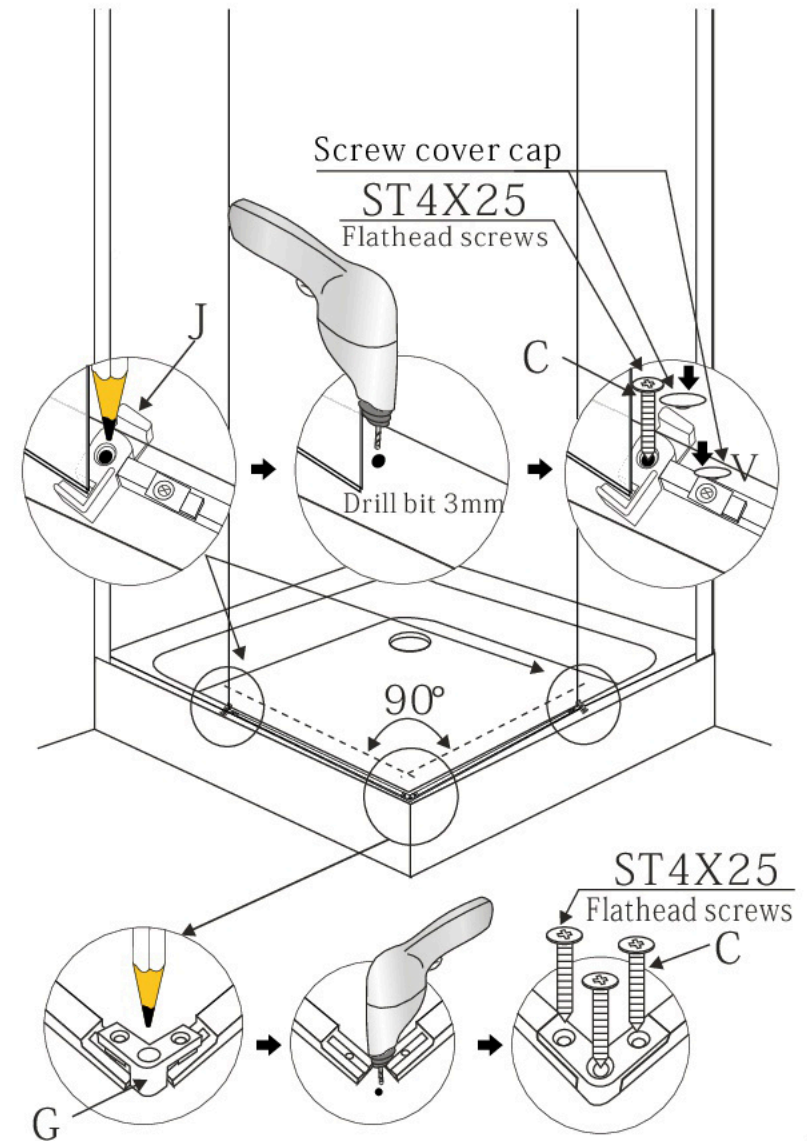
-Place the top rails in correct positions from the inside of glass panels, and make sure the holes on the fixed glass panels be overlapped with the holes on the plastic connectors of top rails.
-Using the screw 5x25mm to connect the fixed glass panels to the top rails.

STEP6:
Top Rails Assembling



- Inert the top rails into the corner connector [H]
- Fix it with screw washer and screw 4x8mm [E]

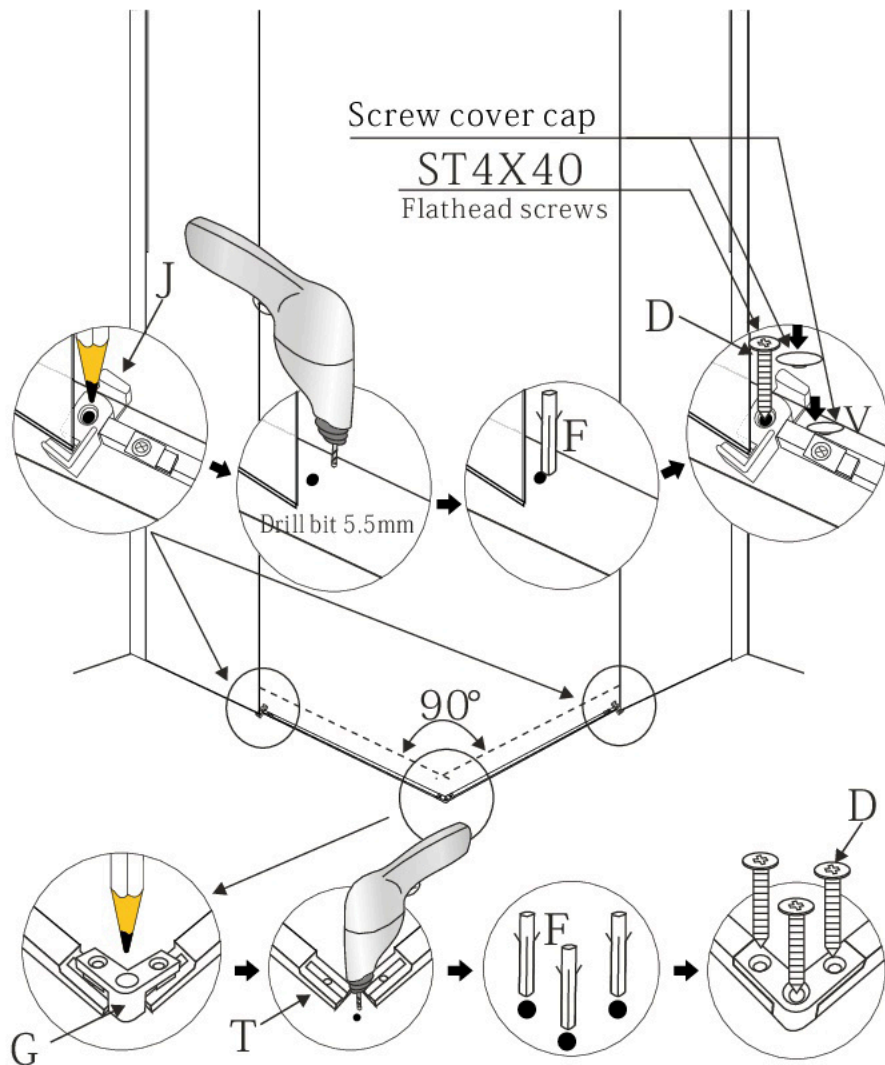
STEP7:
Bottom Rails Assembling
Option 1: The shower enclosure is
installed on the shower tray.



STEP7:

Bottom Rails Assembling

Option 2: The shower enclosure is installed on the floor.



Insert the glass clips [J] onto the fixed glass panels.

-Insert the bottom rails into the glass clips [J] .

-Connect the L-shaped connector [G] to the two bottom rails.

-Make sure the glass clips and the bottom rails be in level with the edge of shower tray.

-Use a pencil to mark the positions of the pre-drilled holes on the shower tray.

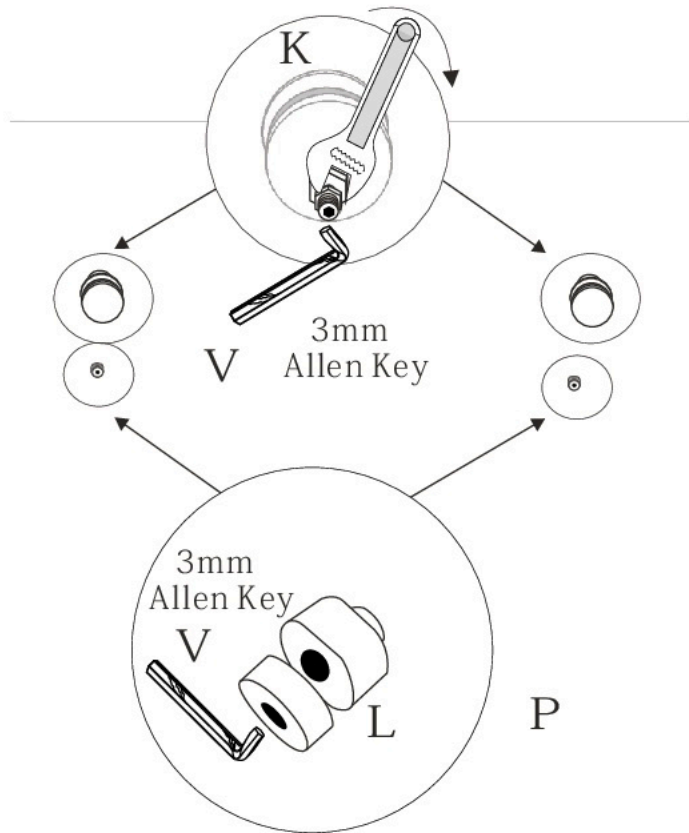
-Remove the glass clips, bottom rails and L-shaped connector, and drill the marked positions with a 3mm drill bit.

(Note: If the shower enclosure is not installed on the shower tray, but on the floor, a 5.5mm drill bit should be used.)

-Put the glass clips, bottom rails and L-shaped connector back to the position, and line up the holes with the holes drilled. Fix them with flathead screw 4x25mm [C] . Put the screw cover caps on.

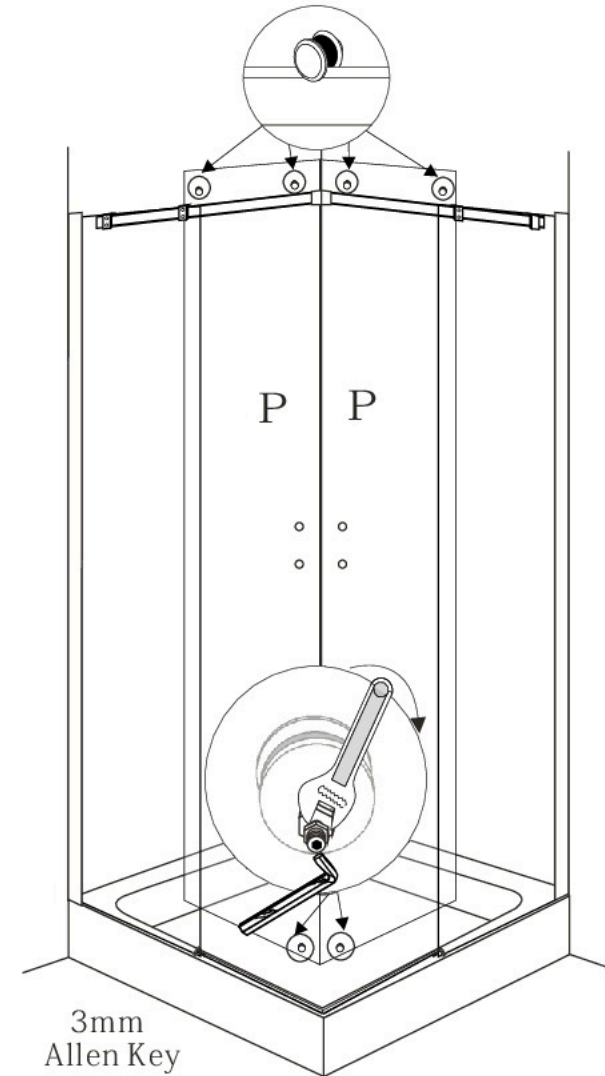
(Note: If the shower enclosure is not installed on the shower tray, but on the floor, the wall plugs should be used before fixing the flathead screws 4x40mm [D])

STEP8:
Sliding Doors Assembling



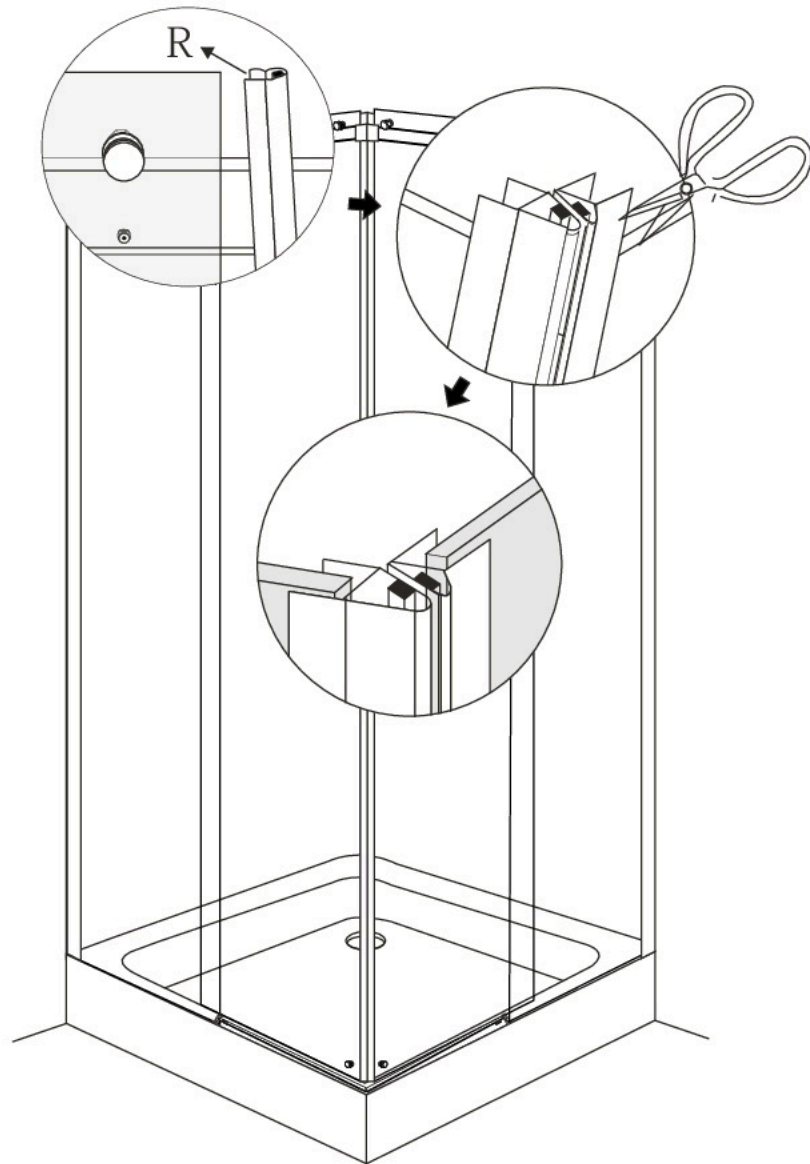
- Using 3mm allen key to fixate the bolt, then fastening screw with wrench (pay attention, do not very tight, the roller have to be adjust later)
- Using screwdriver to fastening the small screw downside

STEP9:
Sliding Doors Assembling



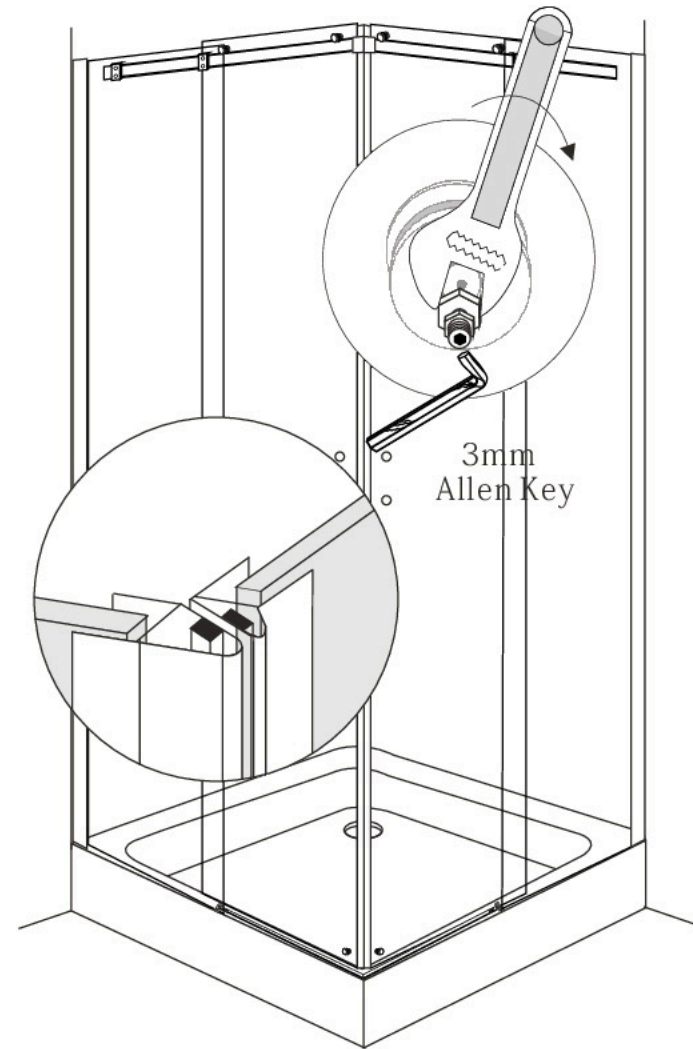
- Install the up roller to the rail, then install the bottom roller, same as step 7, also do not be very tight, the roller have to be adjust later.

STEP 10:
Magnetic Seals Assembling



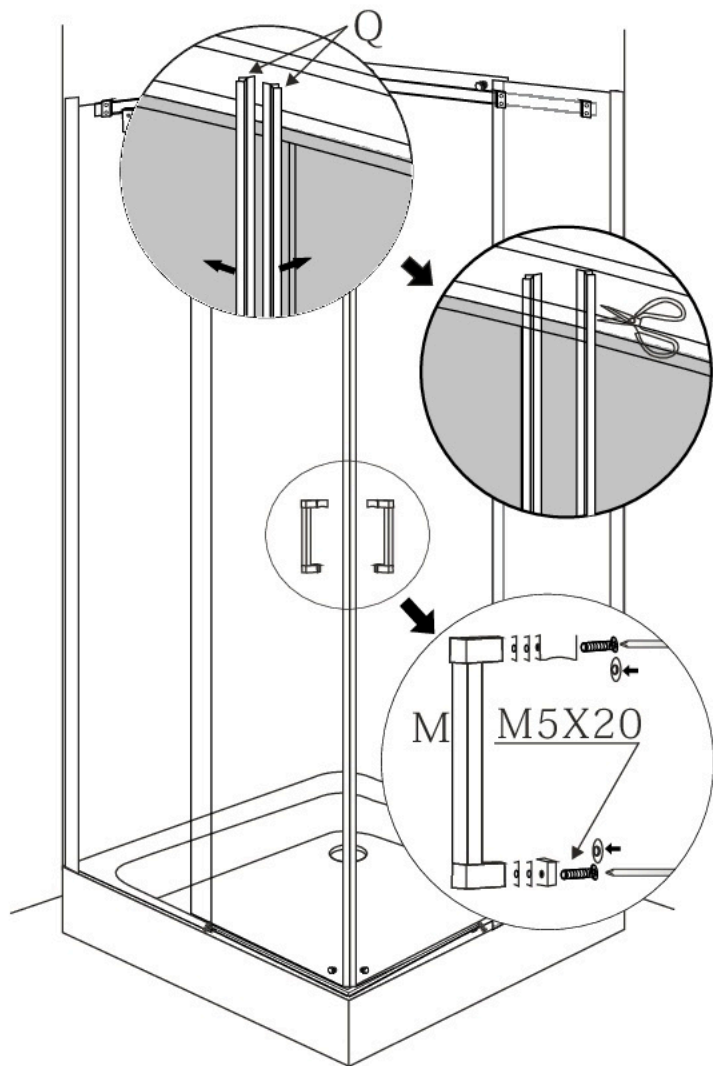
-Push the magnetic seals [R] onto the sliding doors. Cut into required length.

STEP 11:
Sliding Doors Adjustment



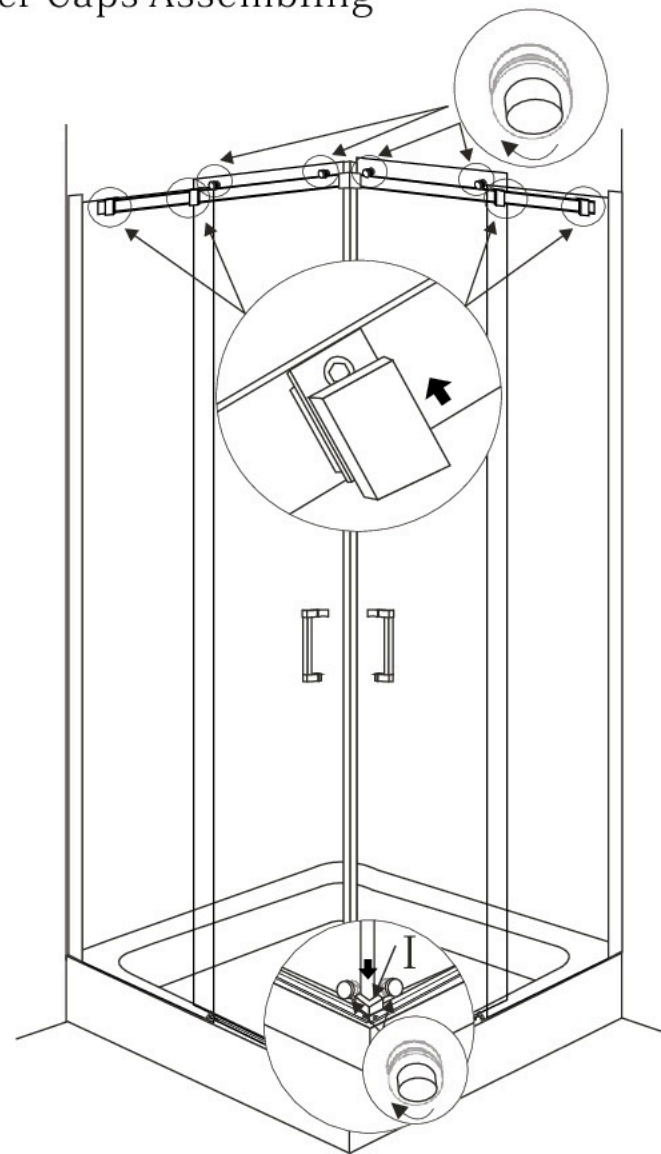
-Using 3MM alley ken to fixate the bolt, then adjust the screw with wrench till the magnetic seal fixed well.
-Fastening the screw finally

STEP 12:
Rubber Seals and Handles Assembling



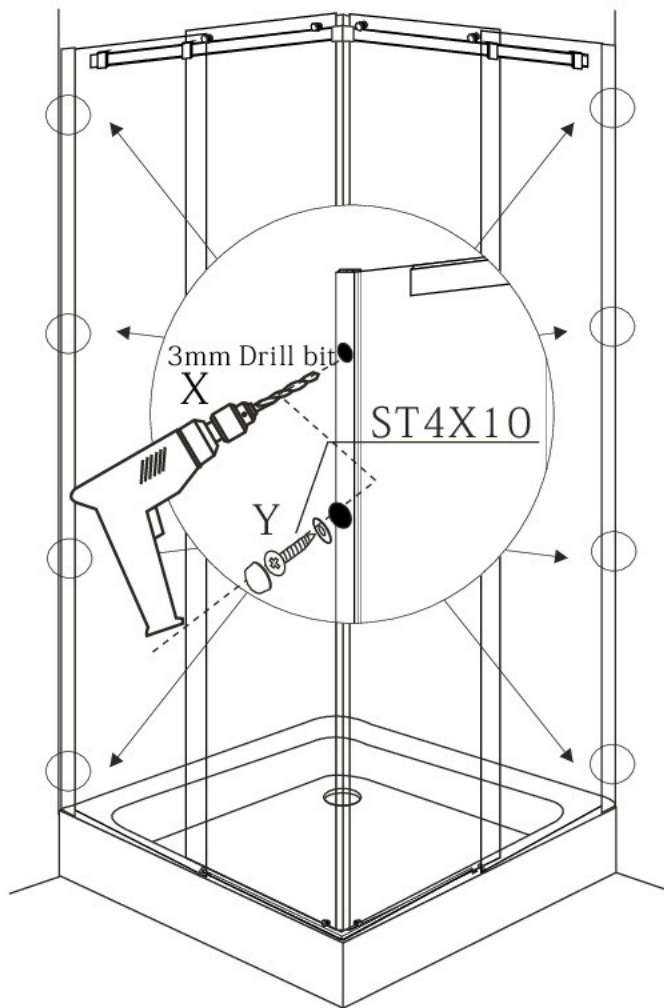
- Push the rubber seals [Q] onto the fixed glass panels and sliding doors. Cut into required length.
- Use the cross screw driver to assemble the handles.

STEP 13:
Cover Caps Assembling



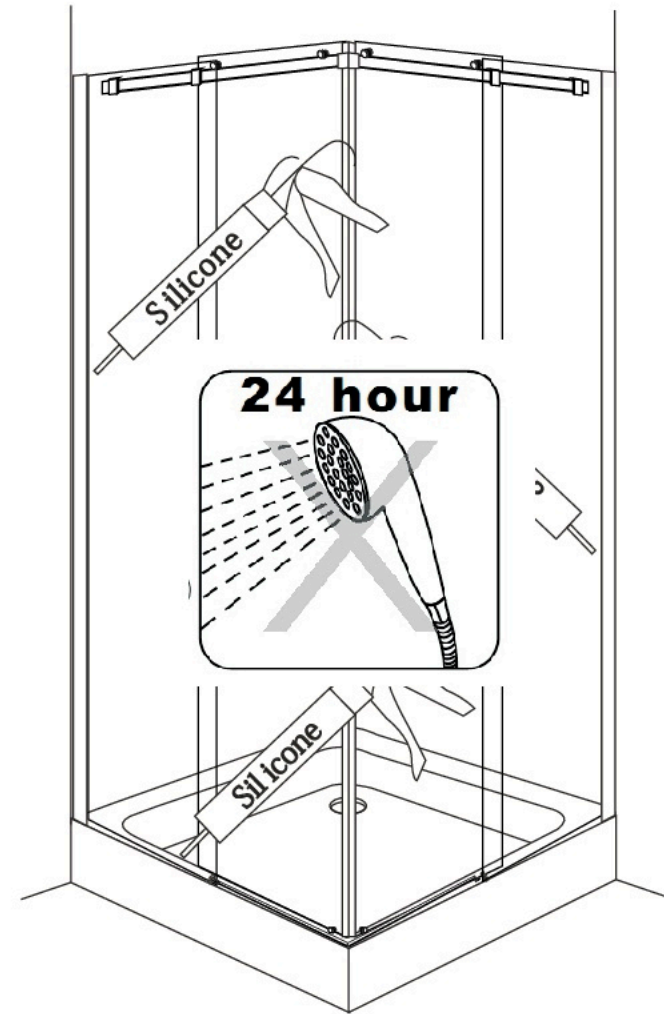
- Put the cover caps for the rails and rollers on.
- Put the L-shaped cover cap [I] on.

STEP 14: Fixing Wall Profiles



- Drill holes with 3mm bit on wall profile. (Note: Do not drill through the profiles, otherwise, it will damage the profile's surface.)
- Fix it with screw washer and screw 4x10mm [Y]. Put the screw covers on.

STEP 15: Silicone Application



- Apply silicone sealant to all joints between wall profiles and tray.
- Do not use the enclosure for 24 hours, to allow the silicone to dry completely.