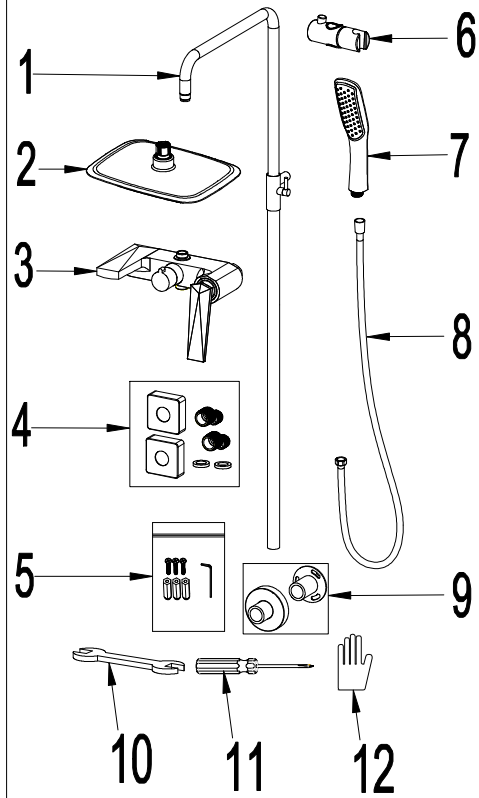
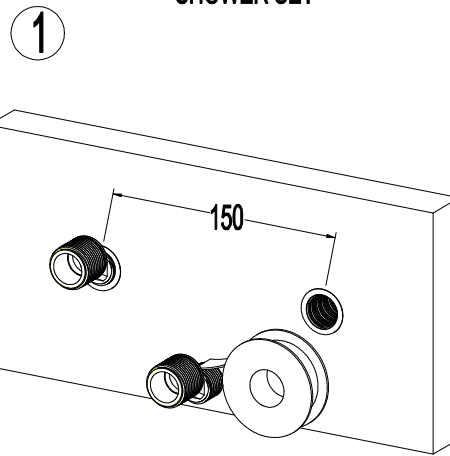


# Installation List

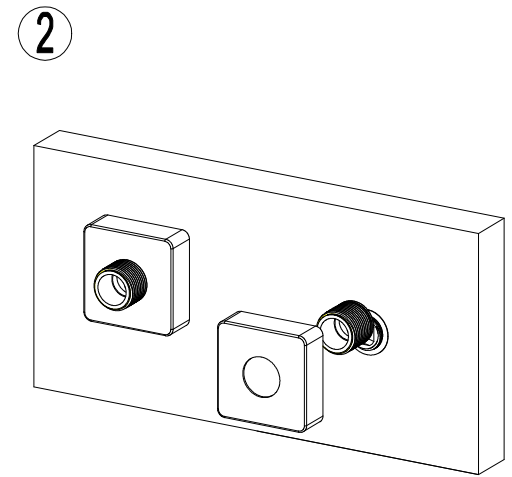


S/N	Description	No.s
1	shower column accessories	1
2	Rain shower	1
3	Faucet	1
4	Wall "Z" pipes and flanges	1
5	Screws set	1
6	Shower holder	1
7	Hand shower	1
8	Shower hose	1
9	Shower column holder	1
10	Spanner	1
11	Gloves	1
12	screwdriver	1

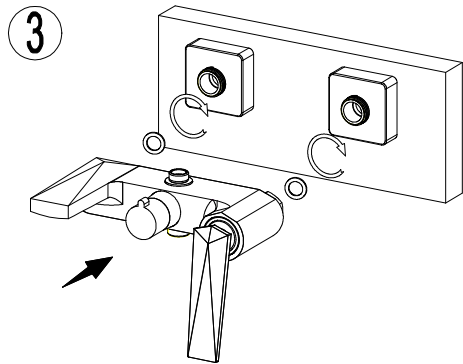
# SHOWER SET



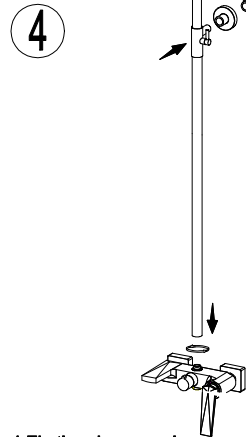
1. Tapes around the wall "Z" pipes (4), and screw them to the wall water pipes, then fasten tight by spanner.  
After, flush any contaminates in supply lines for 30-60 seconds until water is clean.



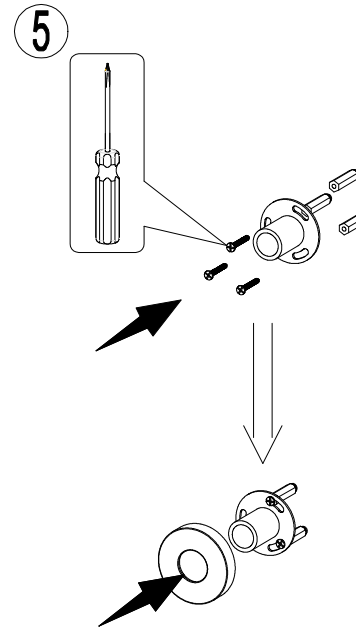
2. screw up the wall flange (4) to the "Z" pipes (4)



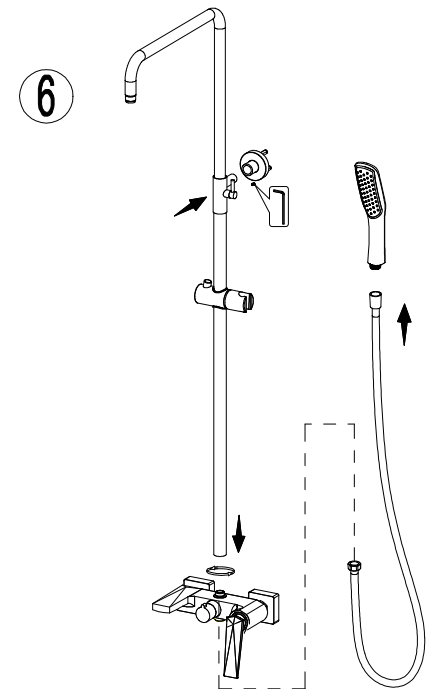
3. put the rubber O-rings to the faucet (3) screw nuts, and fasten tight to the wall "Z" pipes (4) by spanner.



4. Fix the shower column accessories (1) to the faucet (3), for mark the position of the shower column holder (9), then take out the shower column accessories (1).



5. Fix the shower column holder (9) to wall, then cover by wall flange.



6. Fix the shower column accessories (1) to the faucet (3), and connect (1) to the holder (9). Then fix the shower hose (8), hand shower (7), rain shower (2)