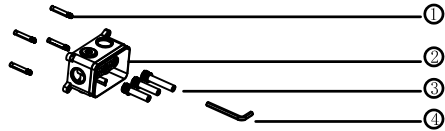
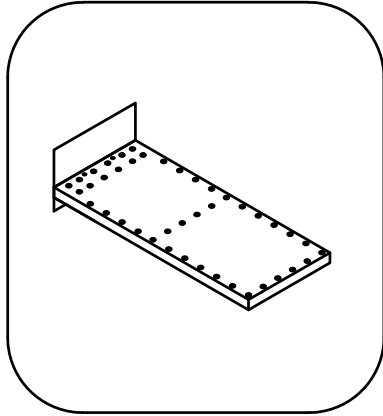


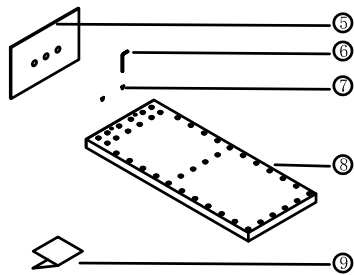
Installation

For easy installation of your faucet, please ensure the following:
 Read thoroughly all the instructions before installing the faucet. Read and understand all warnings
 Check all the components in the package.

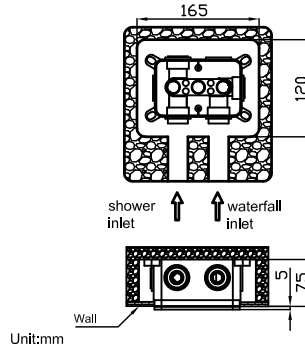


Components List :

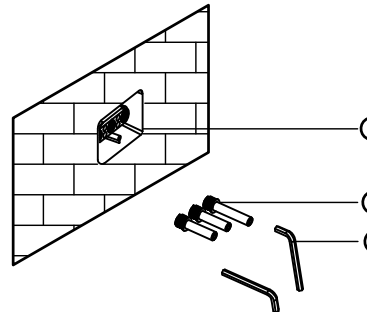
S/N	Code	Qty
1	Expansion Screw	4
2	Wall mounted body box	1
3	Inlet Parts	3
4	S8 Allen Key	1
5	Plate	1
6	S2.5 Allen Key	1
7	M4*7 Screw	2
8	Body of Top shower	1
9	Installation	1



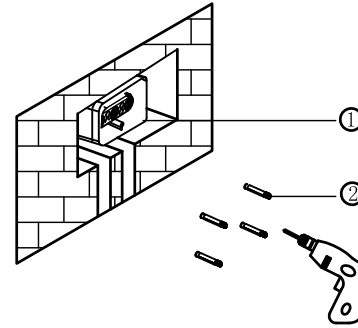
1、 Leave room for the wall mounted box per drawing, please avoid confusion for the connection of shower inlet and waterfall inlet



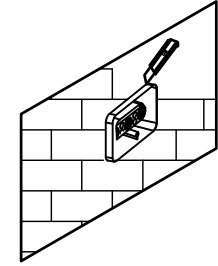
4、 Take off the wall mounted body box cover when shower body installed , then tightenclockwise with S8 Allen key for the inlet pipes per drawing



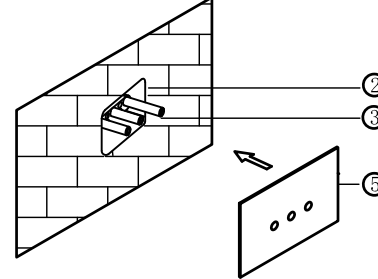
2、 Use 4 screws to fix the wall mounted body when it is in level position. Do not remove wall mounted body box cover when decorating the concrete layer on the wall, which avoid the concrete splashing on the body connecting thread



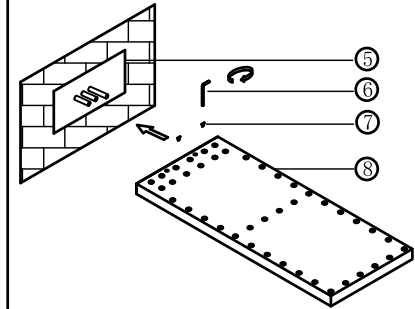
3、 Make sure that the wall mounted body box 15mm protruding out the tile on the wall. Please remove the extra 15mm when the shower installed, make sure it is flat with the wall



5、 Install the decorated plate
 Attention: Before wall mounted body box concealed, follow up step 4-5-6 for installing,and make sure to do level testing,Perpendicularitytesting, depth testing, concealed testing. It is very troublesome to open the wall for re-installing



6、 Install the shower to the right connecting pipes, tighten clockwisethe M4 screw with S2.5 Allen key



Reminder
 Please don't not loosen or take off the screws on the shower body when do the installation

