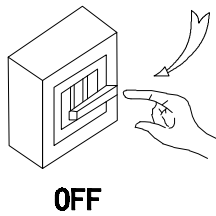
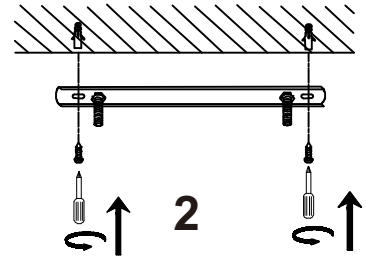


3510/17 LM-11

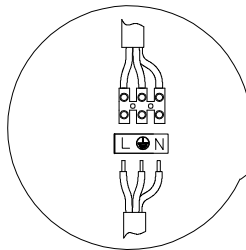
3510/02 LM-11



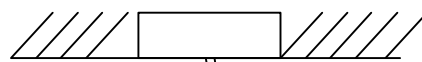
1



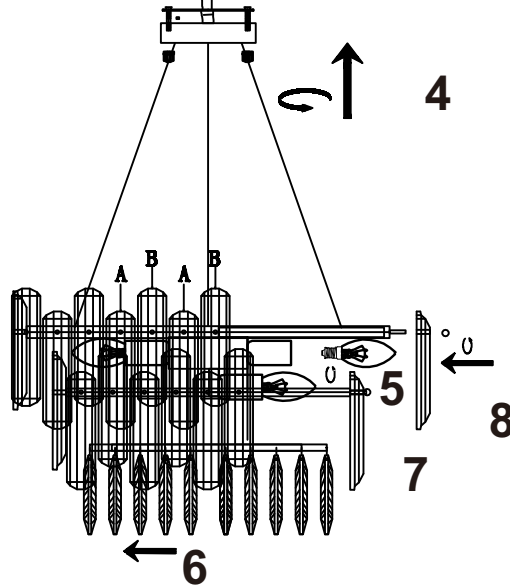
2



3



4



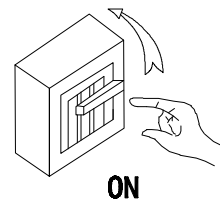
35*150 A= 64 PCS



35*150 B= 64 PCS



30*100 C= 84 PCS



9

ON