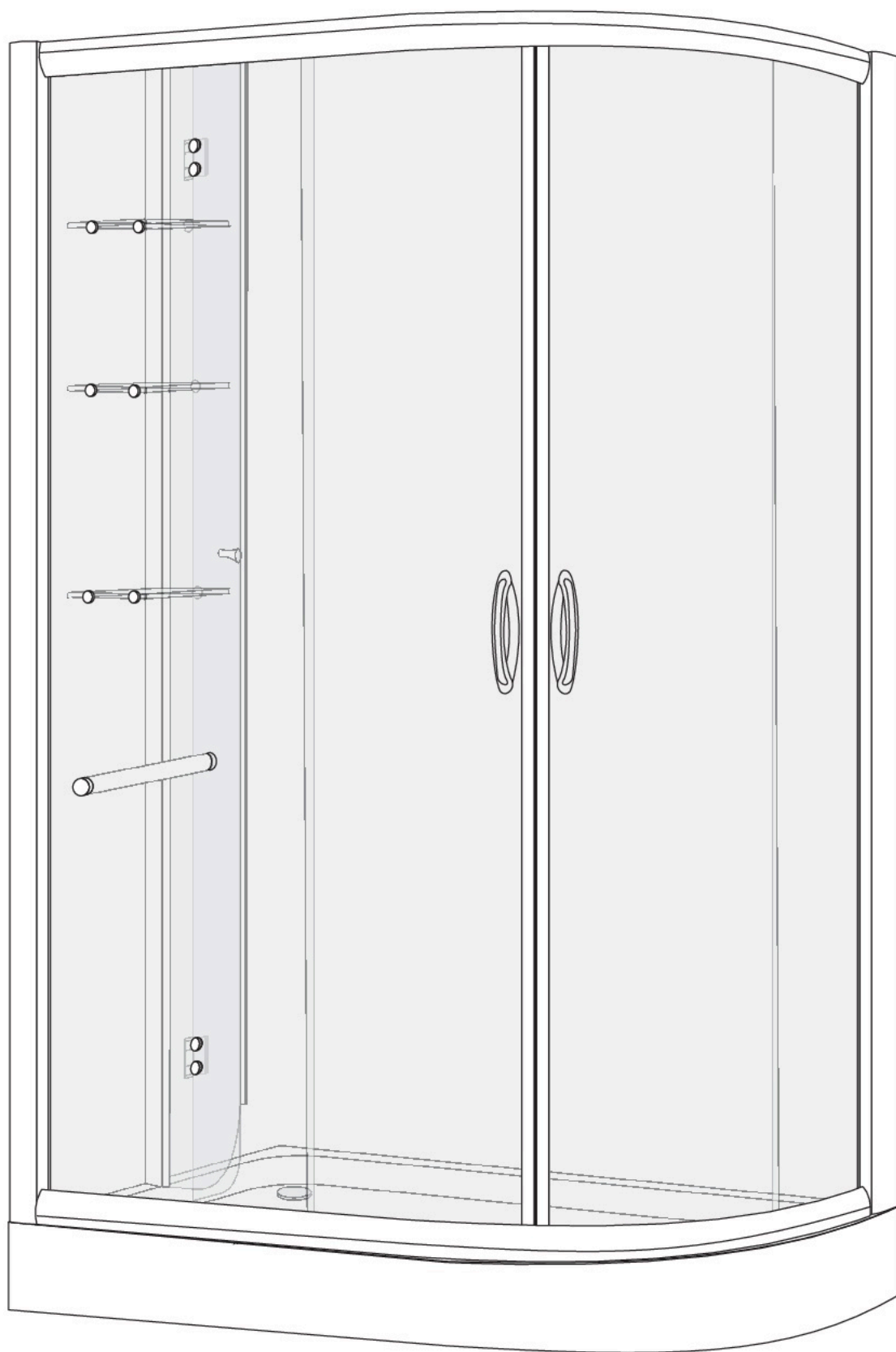


Инструкция по установке Grossman GR-9120 L\R



Grossman.su
продажа, установка
8(495)972-80-69

Installation Instructions

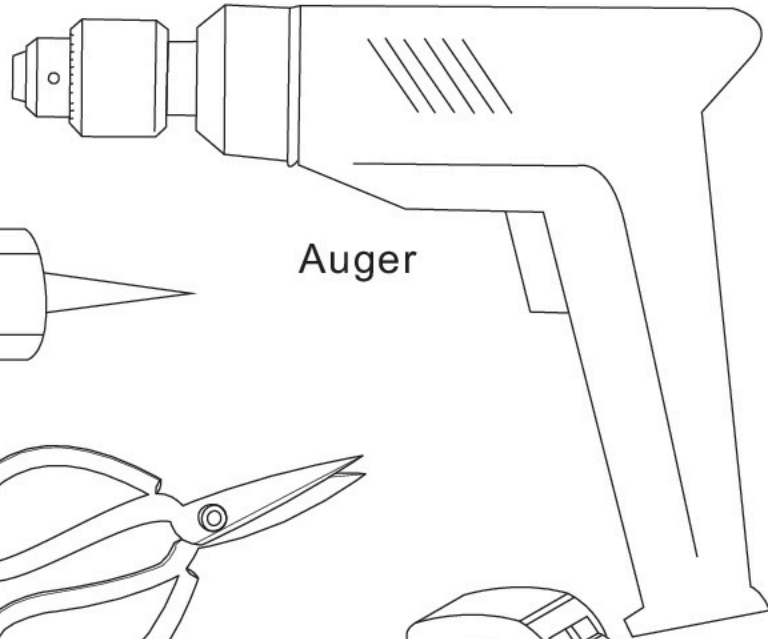
TOOLS REQUIRED(NOT SUPPLIED)

when you're ready to start,make sure that you have the following tools to hand,plenty of space and a clean dry area for assembly.

Two people are needed. Please note:although these instructions are comprehensive,We always recommend that a technically competent installer should undertake installation.

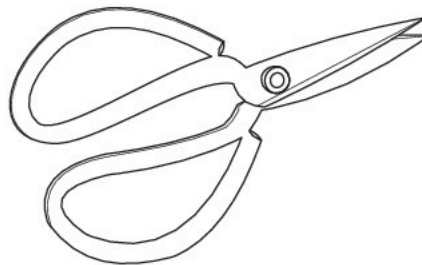
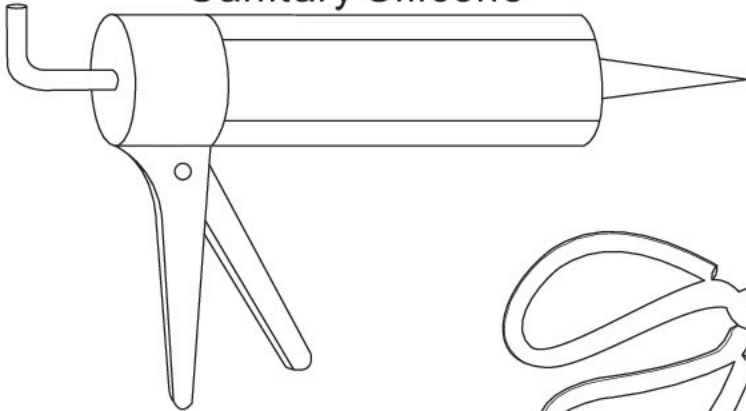


Drill beat head
5. 5mm

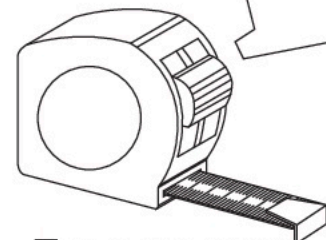


Auger

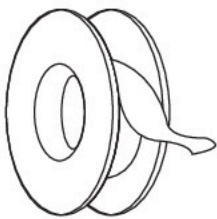
Sanitary Silicone



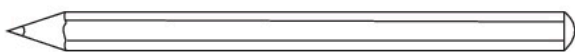
Forfex



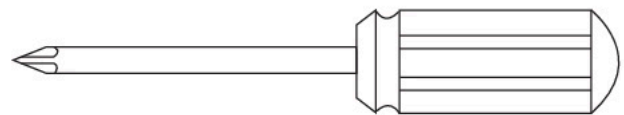
Tape measure



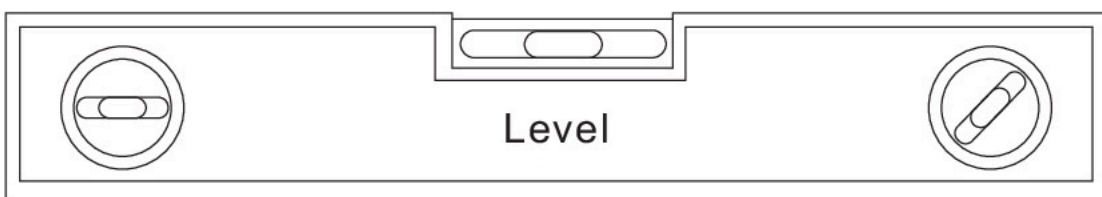
PTFE tape



Pencil

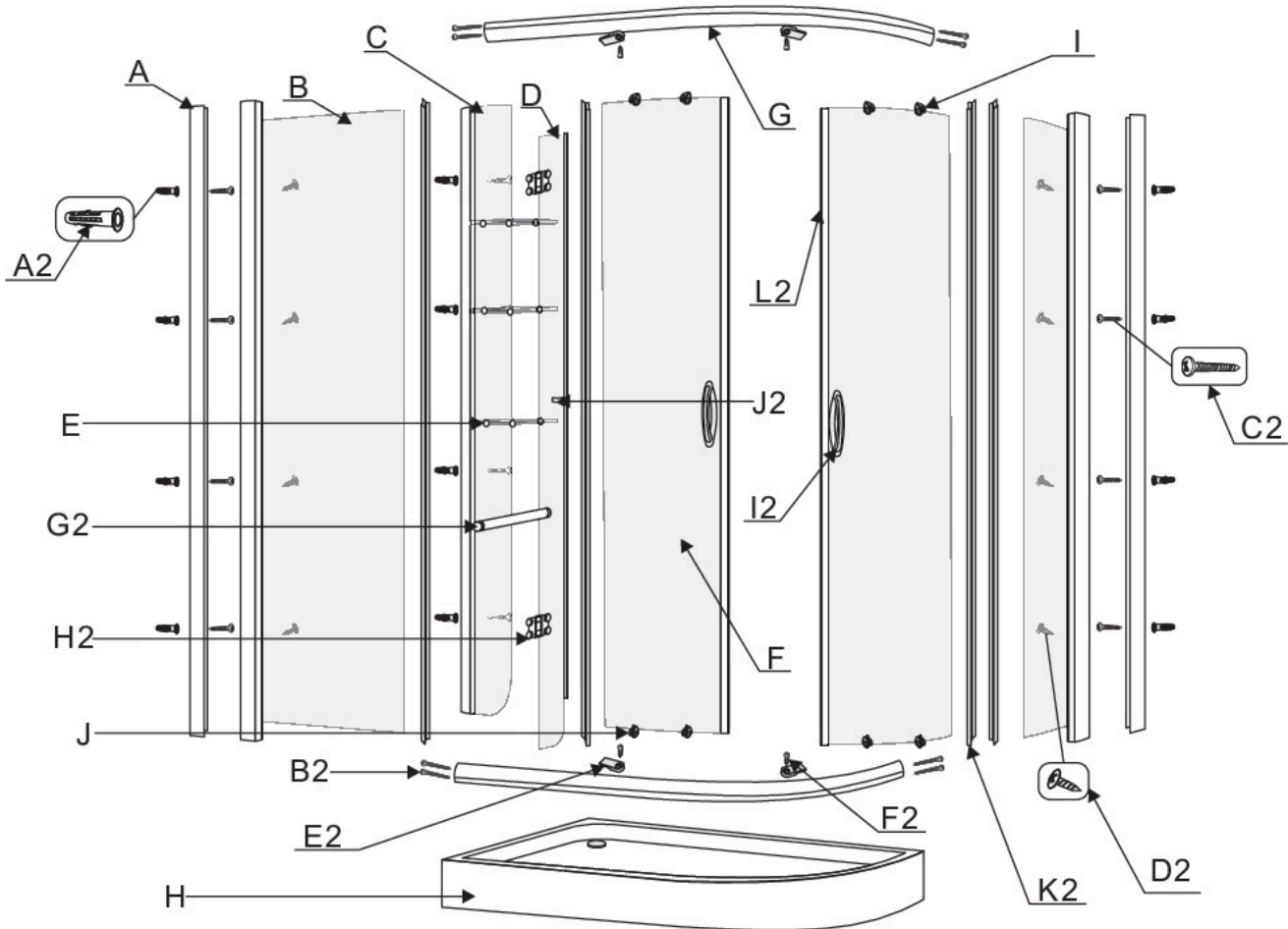


Magnetic crosshead schrewdriver










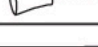





Level

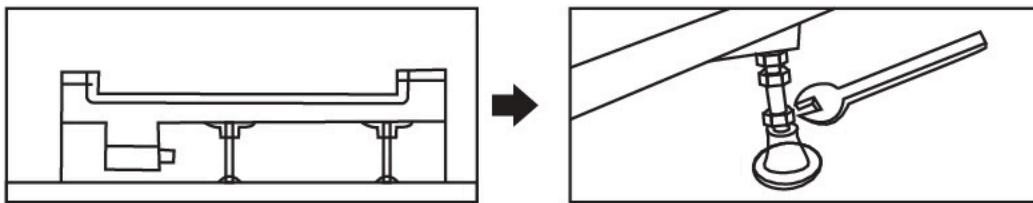
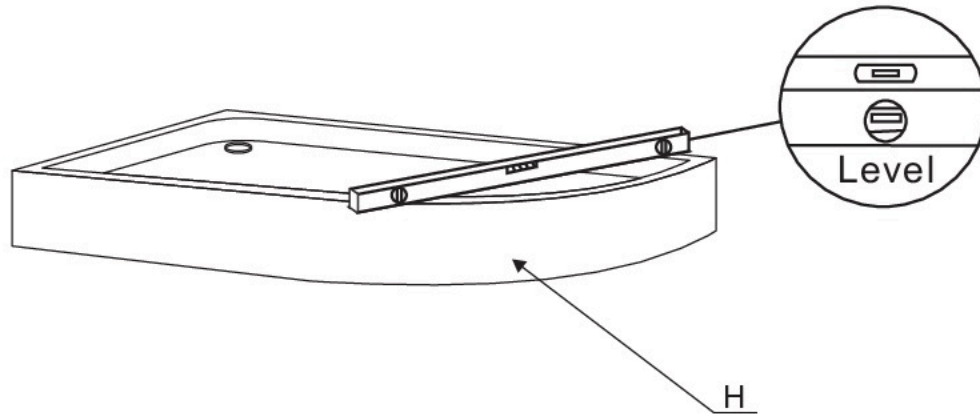
Installation Instructions



Ref	Description	Qty
A	Wall profile	2
B	Fixed glass	2
C	Small glass	1
D	Inside door	1
E	Shelf	3
F	Sliding door	2
G	Up or bottom rail	2
H	Tray	1
I	Top-wheel	2
J	Down-wheel	2

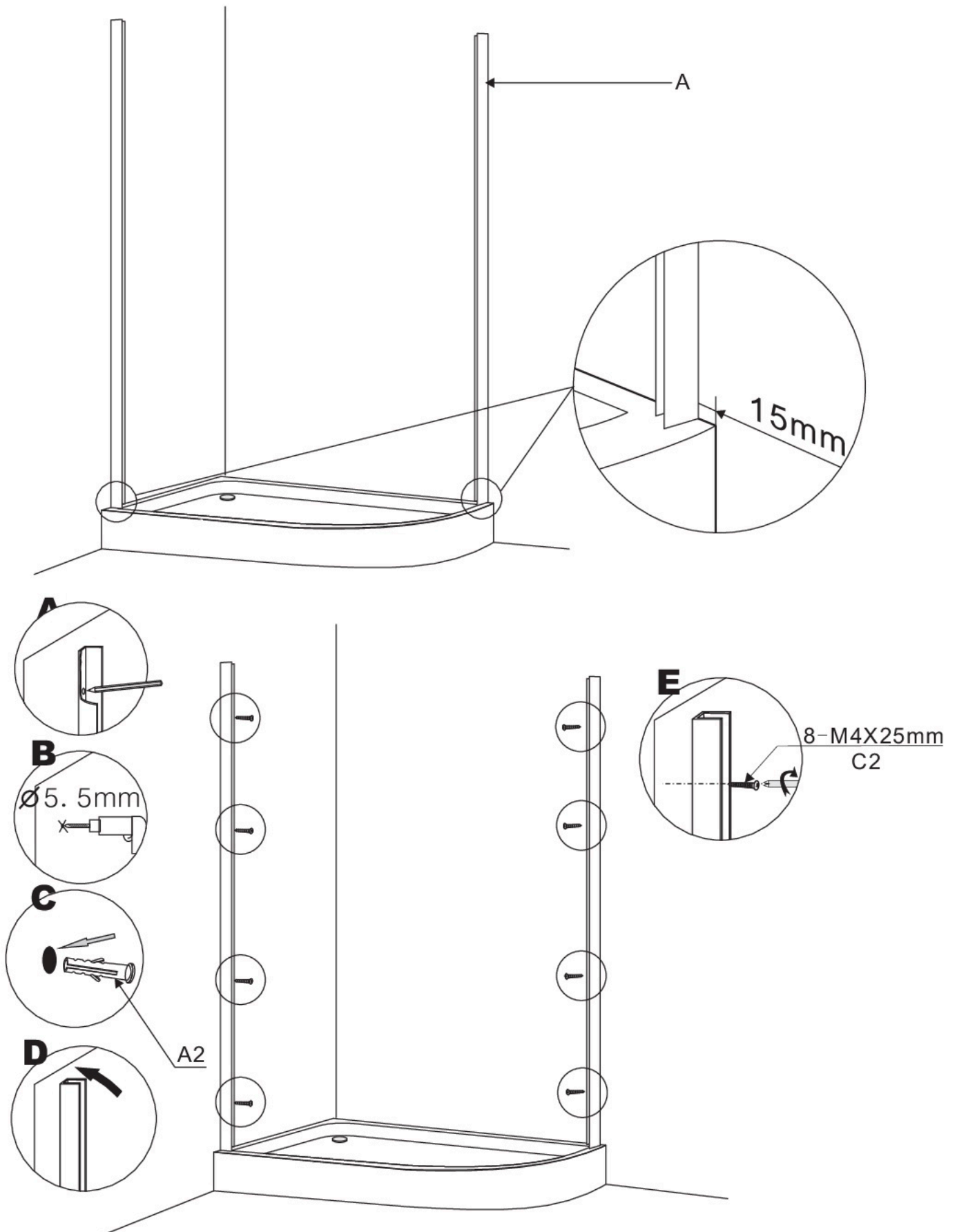
Ref	Description	Illustration	Qty
A2	Expendable wall plug		12
B2	Stainless steel screws M3. 9X45mm		8
C2	Stainless steel screws M4X25mm		12
D2	Stainless steel screws M4X10mm		8
E2	Glass clamp		4
F2	Stainless steel screws M4X10mm		4
G2	Towel rack		1
H2	Hinge		2
I2	Handle		2
J2	Handle		1
K2	Vertical seal		4
L2	magnetic seal		2
M2	Drill bit 3mm		1

Installation Instructions

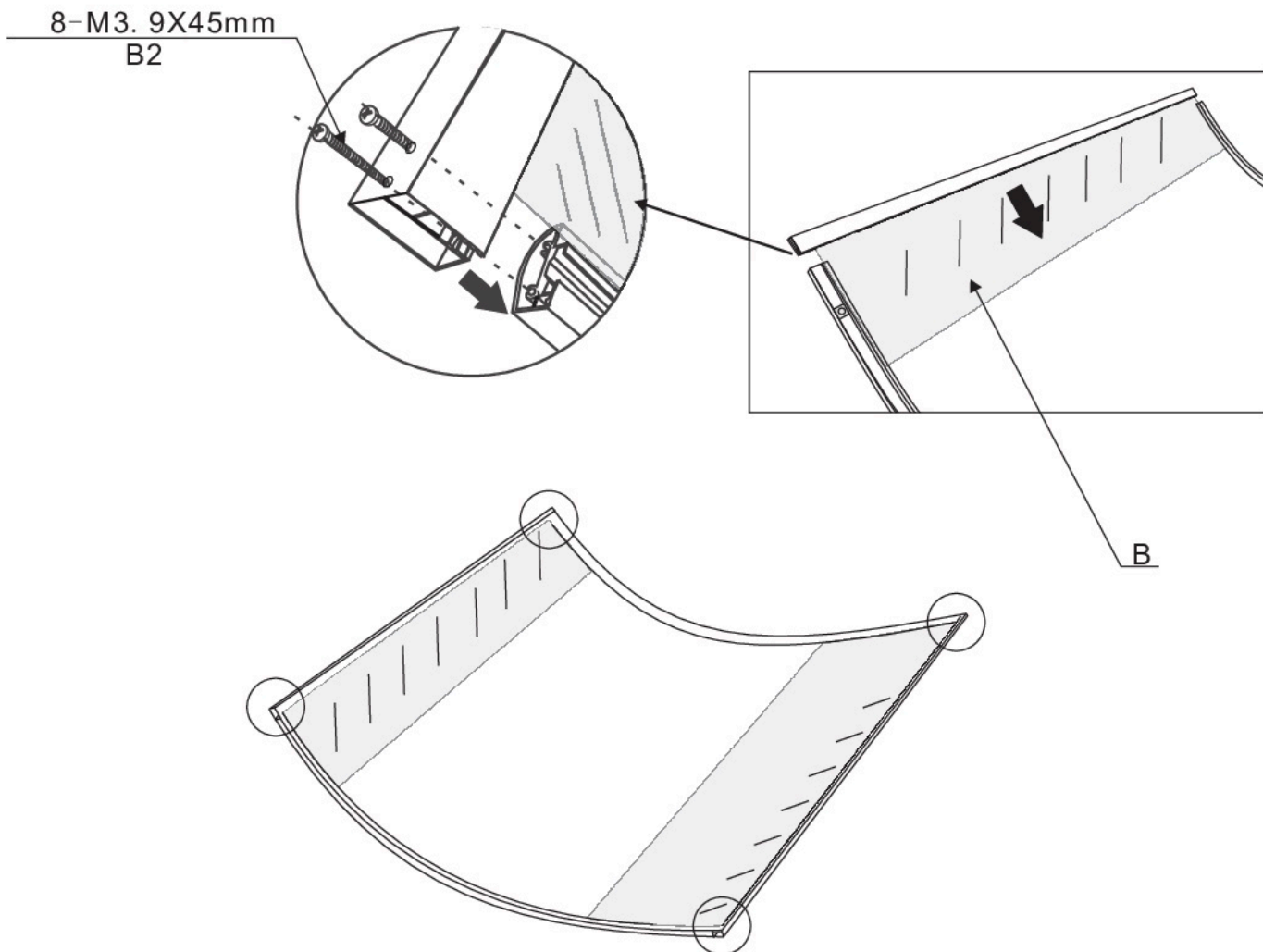
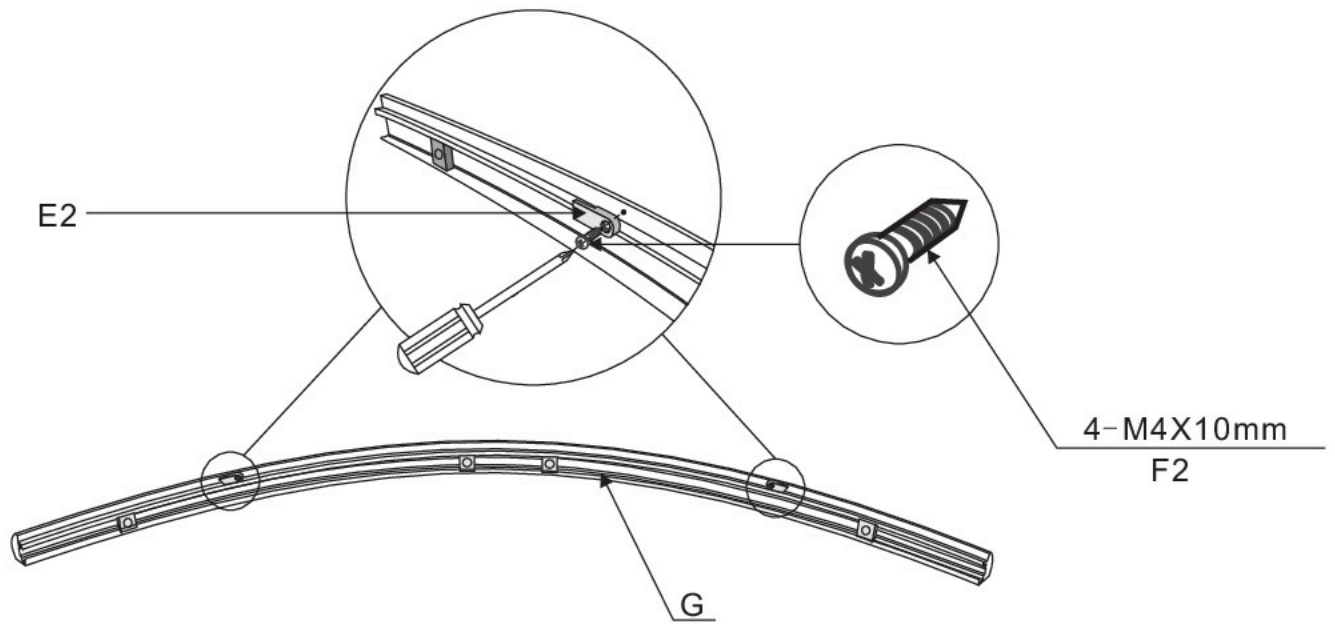


Lift the rear part of bottom basin, and then insert one end of the pipe into the drainage hole

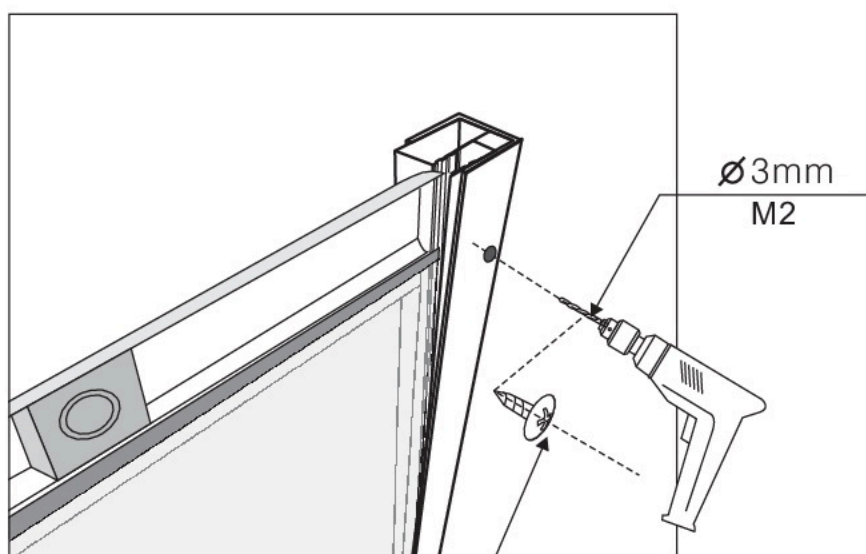
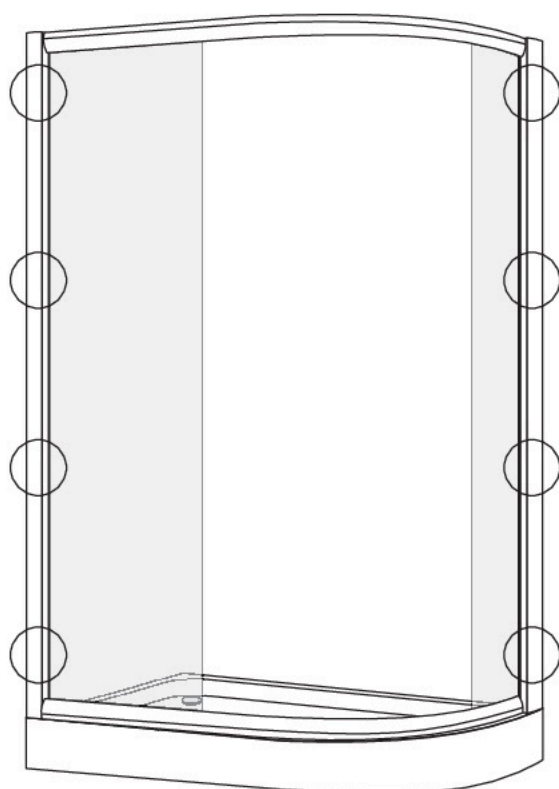
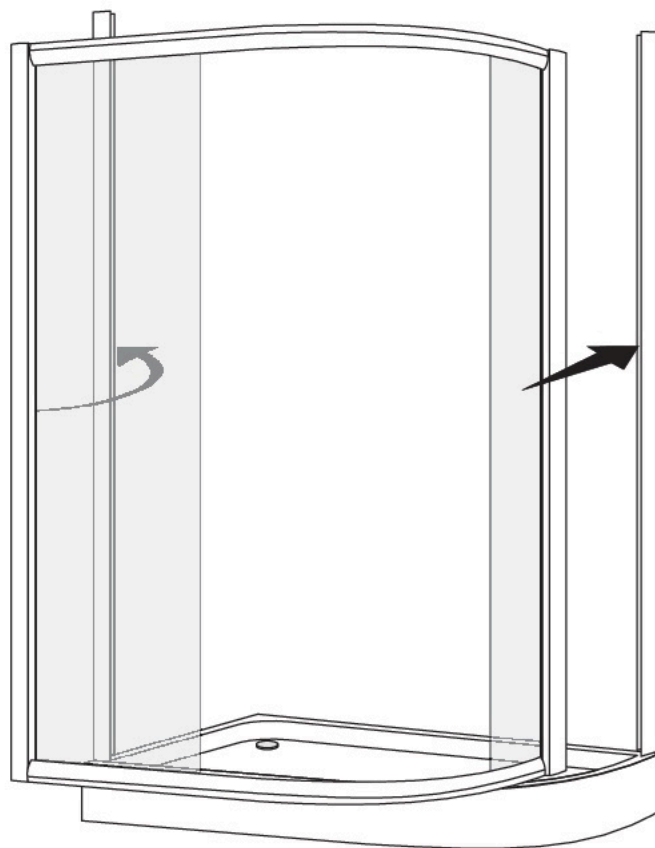
Installation Instructions



Installation Instructions

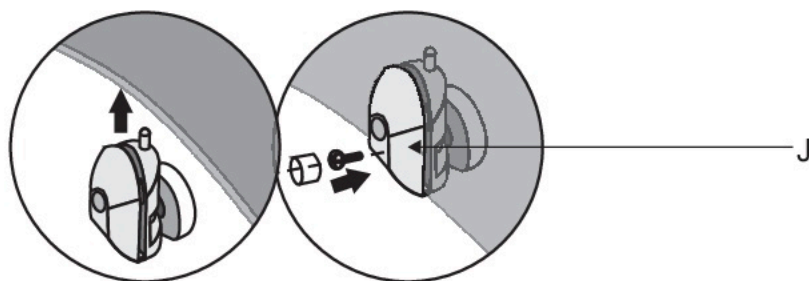
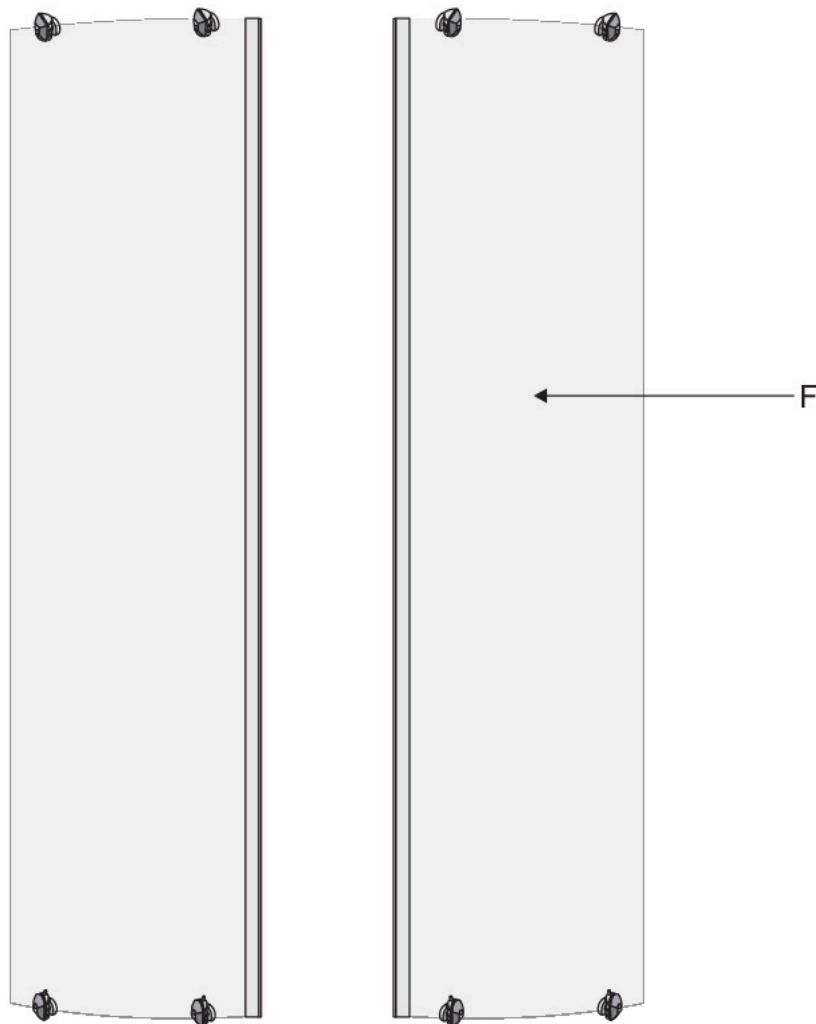
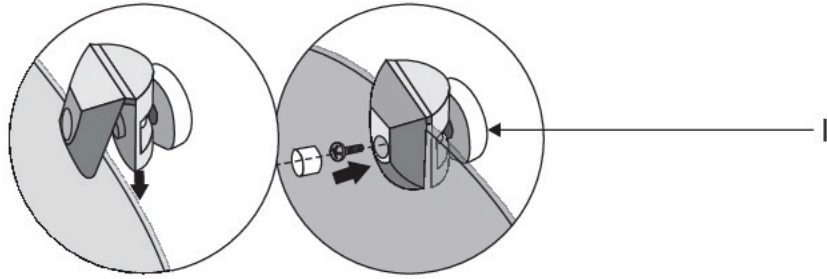


Installation Instructions

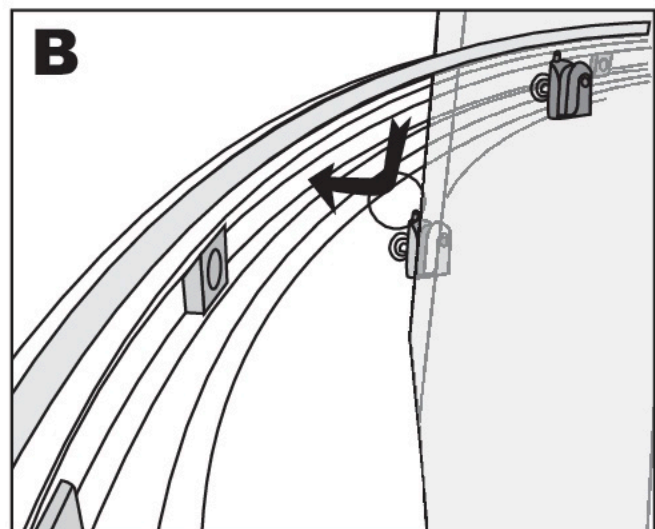
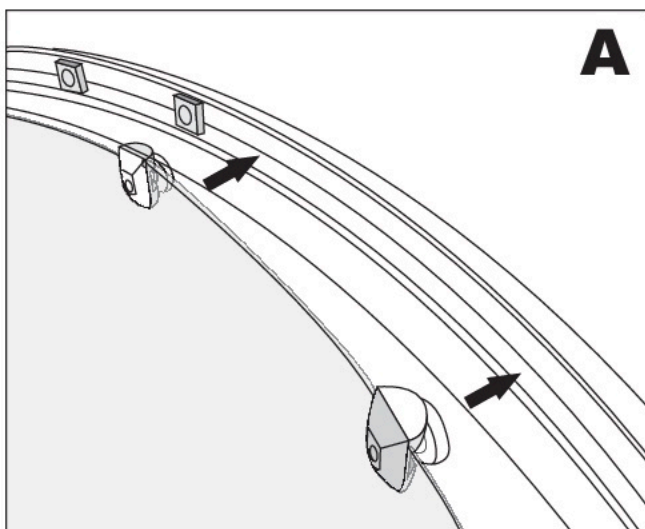
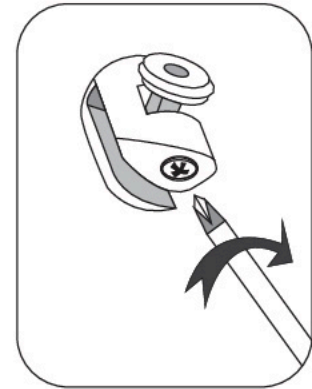
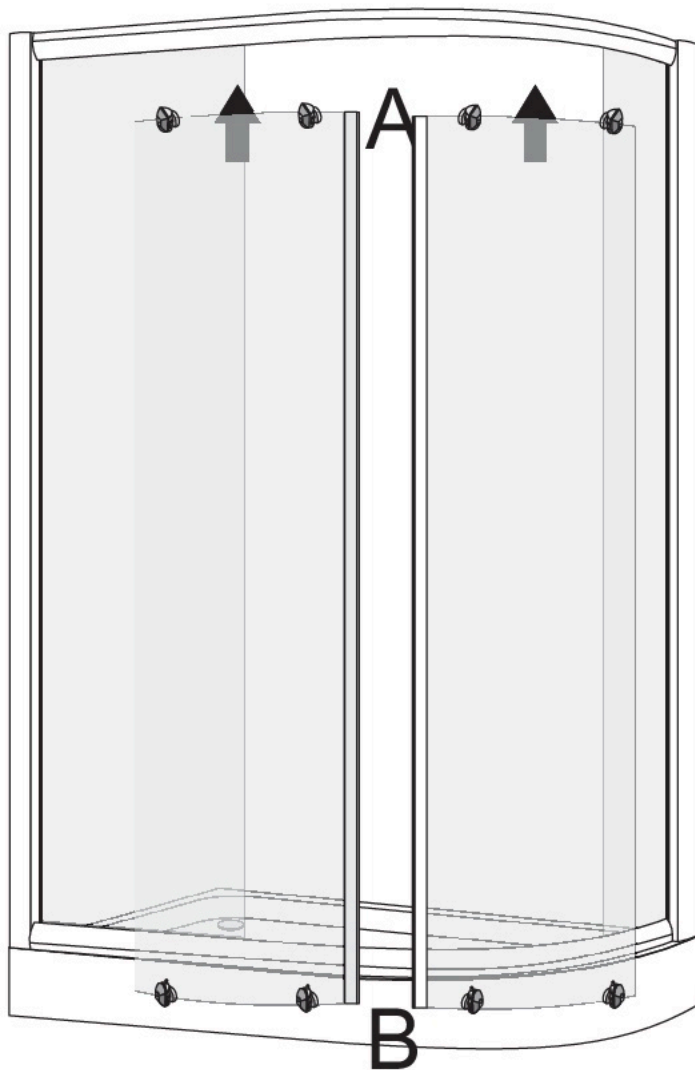


8-M4X10mm
D2

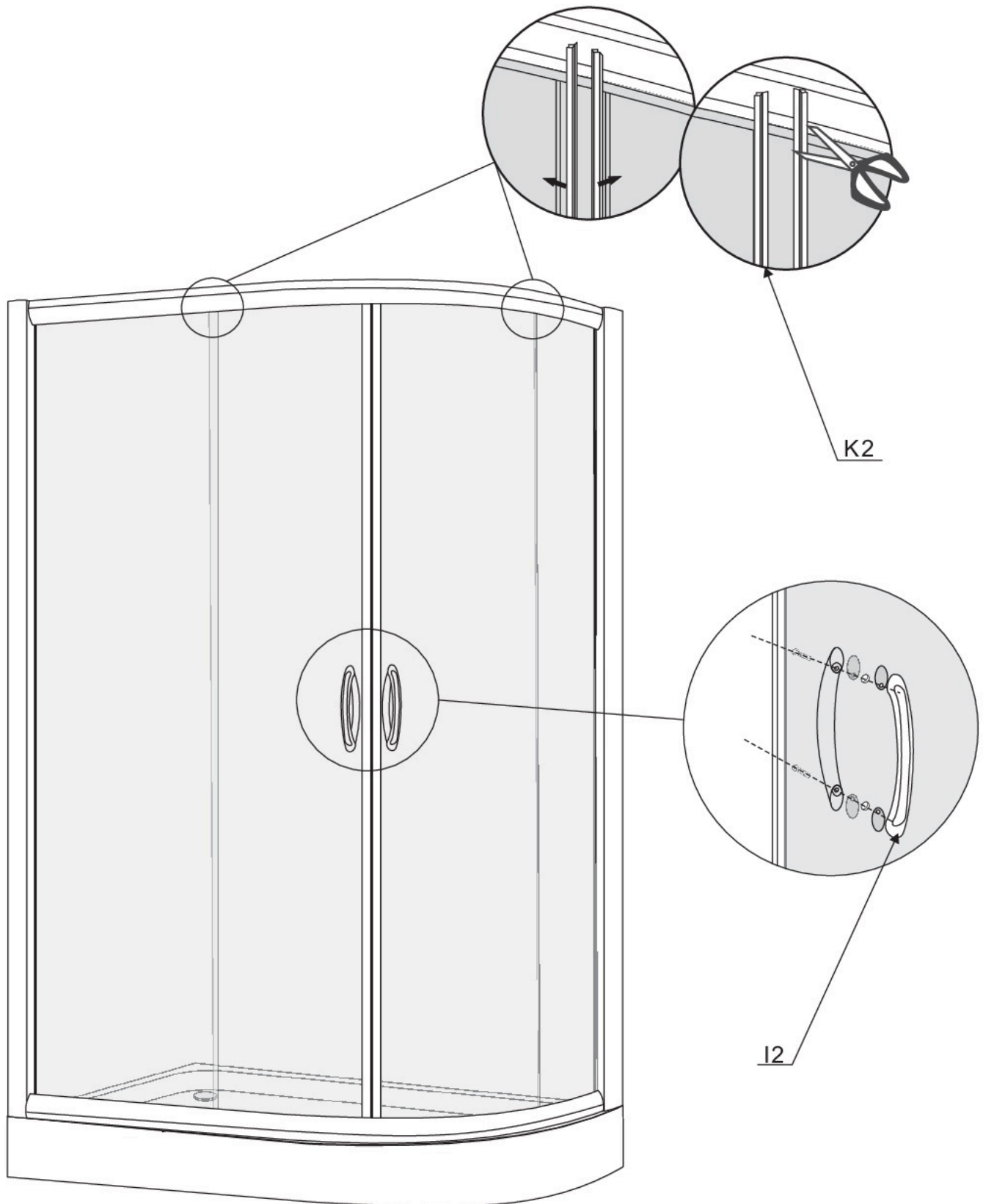
Installation Instructions



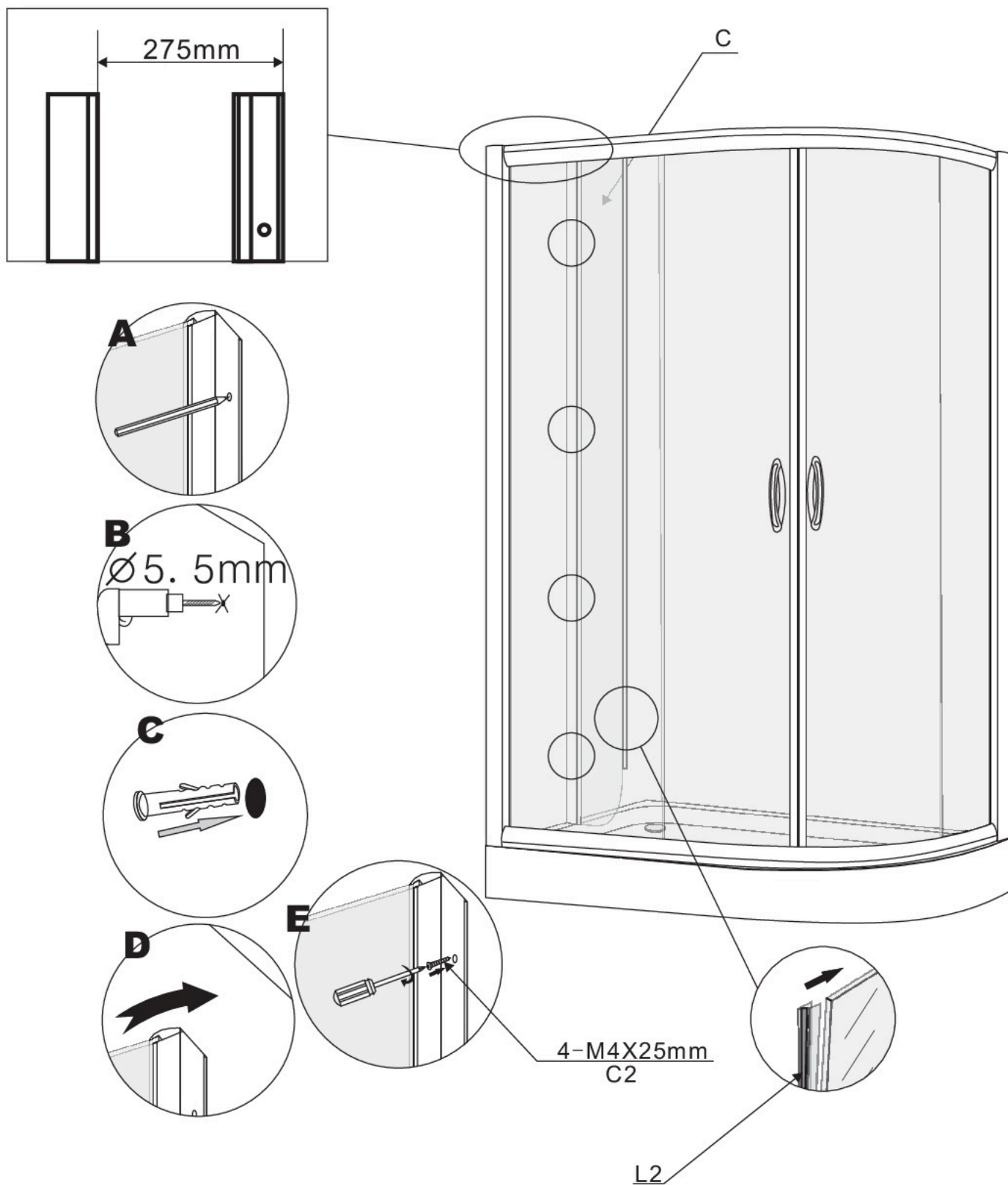
Installation Instructions



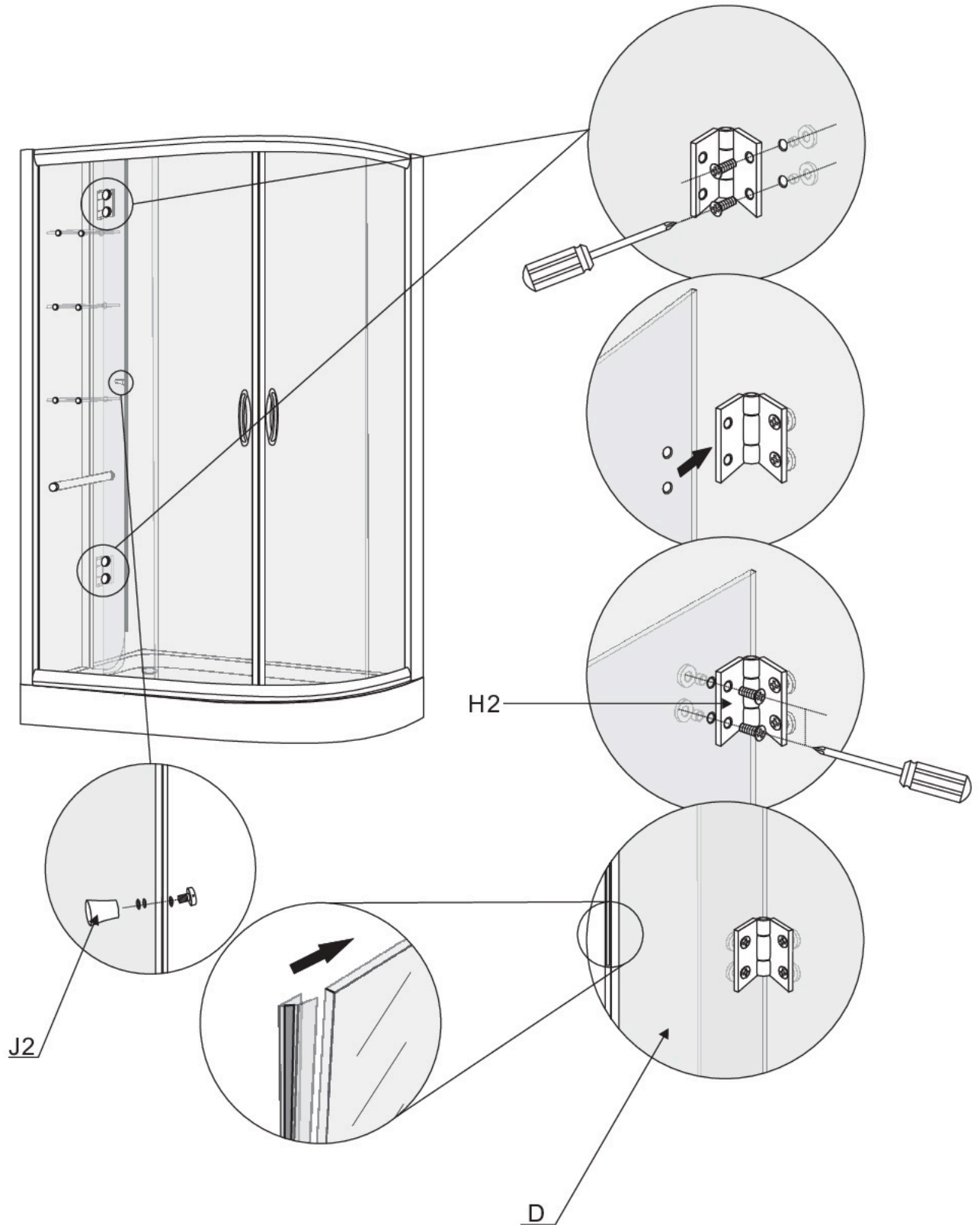
Installation Instructions



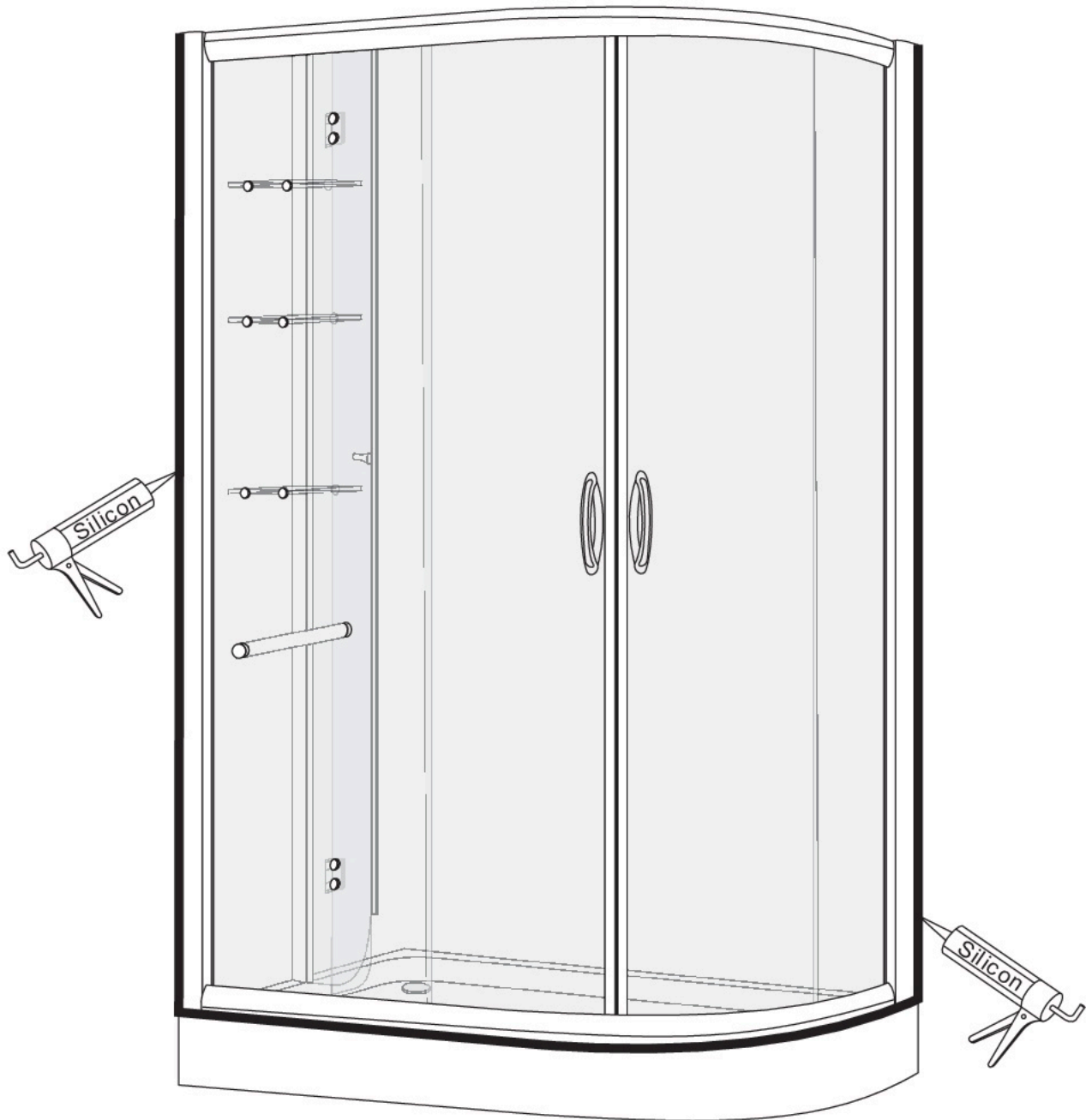
Installation Instructions



Installation Instructions



Installation Instructions



Warning: Don't use the shower enclosure until after at least 24 hours, so that the silica gel can be totally dry.